

Catalogue 2014





Welcome to Venta

Welcome.

This is the first edition of the Venta Lighting product catalogue, and the product range now has the showcase it deserves. It is the first of many more to come!

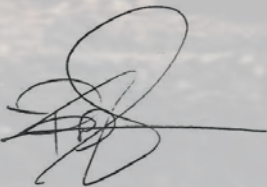
Our aim has been to make this catalogue detailed enough to be a useful reference without losing its ease of use, and with 80 pages of full colour, is designed to make product selection and parts identification as easy as possible, all helping to ensure the correct parts are selected, saving you time and helping to keep your costs down.

We are, like many of our customers, an independent company with family ownership. We have a great team that is trained extensively in providing excellence in customer service and satisfaction – delivering the products you need when you need them. We'll guarantee;

- Quality – In Spec products with extensive warranties
- Value – Products that add value to your products
- Service – Personal, friendly contact and On Time deliveries.
- Integrity – People you can trust, and long term stability
- Satisfaction – Building long-term business relationships
- Experience – Ensuring you get products that will perform as required.

We feel confident you will find this catalogue useful, and as always, we'll look forward to hearing from you when you need a product or want to know more about one.

With warm regards,



Rhys Simpkin
Managing Director | Venta Pty Ltd



Gerard Simpkin
Managing Director | Trailequip Ltd



- Section 1, P05-P30:
LED Worklamps
- Section 2, P31-P40:
LED Lightbars
- Section 3, P41-P46:
Driving Lamps
- Section 4, P47-P52:
HID/Xenon Worklamps
- Section 5, P53-P70:
LED Warning Beacons
and Lightbars
- Section 6, P71-P76:
LED Signal & Marker Lamps
- Section 7, P77-P81:
Trailer Brake Control

VENTATM
VEHICLE LIGHTING SOLUTIONS

What is Venta?

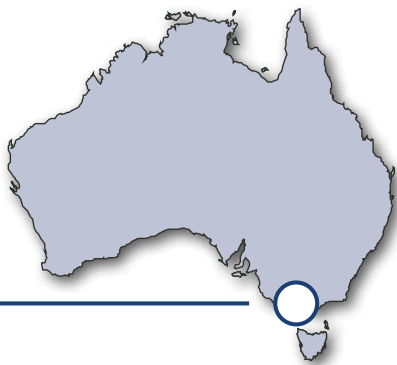
Venta is a registered brand owned in New Zealand by Trailequip Ltd, in Australia by Venta Pty Ltd, and in the UK by Venta UK. In New Zealand and Australia, we leverage off the combined purchasing power of these three entities, and combine to make our range of Lighting products probably the best value available in Australasia.

How do Venta operate?

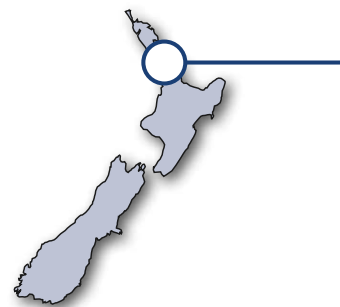
Venta's mission statement will give insight that will answer that: **"We are a market-focused organization that shapes and leads the markets in which we choose to compete. We satisfy our customers by delivering results through quality service and solutions, consistently outperform our peers, and produce predictable earnings for our shareholders. A dynamic and challenging environment is provided for our people; one that builds respect and delivers opportunities, allowing them and the communities they live in to prosper"**. What that means, in simple terms – is that we have a market-leading range of desirable Lighting products at market-leading value, offering outstanding value for resellers, giving better margins and access to a great range. That's our promise to you, and the driving force behind everything we do.

Who do Venta sell to?

A key plank in the Venta package offering is the commitment to distribute through wholesale-only channels. This ensures that our desirable and highly competitive Lighting products are available to fitters and on-sellers only, and without the risk of their own supplier underselling them on the same products. In some cases where resellers or fitters are not competitive or contracts are on a large scale, we may liaise with those wholesale customers to deliver an outcome directly with end users, but this is on a case by case basis and only with the approval of the wholesale customer.



Australia | Venta Pty Ltd
PO Box 2467, Sunbury, VIC 3249
Phone: 1 300 538598
Phone: 0061 3 9971 7800
Fax: 0061 3 9971 4183
Email: sales@venta-au.com
Web: www.venta-au.com



New Zealand | Trailequip Ltd
PO Box 74, Dargaville
Northland 0340
Phone: 0064 9 4395508
Fax: 0064 9 439 6705
Email: sales@venta-nz.com
Web: www.venta-nz.com

Contents

Section 1, LED Worklamps	05
Section 2, LED Lightbars	31
Section 3, Driving Lamps	41
Section 4, HID/Xenon Worklamps	47
Section 5, LED Warning Beacons and Lightbars.....	53
Section 6, LED Signal & Marker Lamps	71
Section 7, Trailer Brake Control	77
Index	82
Order Form	84

Why focus on LED's?

LEDs have several advantages over conventional incandescent lamps. Chiefly, they don't have a filament that will burn out, so they are more resistant to shock and vibration and as a result, last longer than bulbs do. Their compact size makes them a lot more durable and easier to fit in a confined space, meaning high output lamps can be a smaller size, and will last for up to 50000 hours!

But their main advantage is in their efficiency. In conventional incandescent bulbs, the light-production process involves generating a lot of heat as the filament is warmed. This is completely wasted energy, unless you propose to use the lamp as a heater, because the majority of the available electricity isn't going toward producing visible light. In contrast, LEDs generate relatively little heat, and a much higher percentage of the electrical power is going directly to generating light, which cuts down on the electricity demands considerably. Per-watt, some LEDs will output more raw lumens of light than halogen bulbs by nearly 3 1/2 times - A Venta LED worklamp with Cree™ LED's will produce 100Lm/W compared to around 29Lm/W for halogen bulbs.

Venta's commitment is to put desirable technology such as LED within reach of operators who need it most. We're passionate about about the possibilities that quality LED lighting holds for those operators that run machinery outdoors in the hours of darkness. Fatigue in these situations is well documented, and poorly illuminated work areas are a contributing factor to this, leading to a drop in productivity, safety being compromised by accidents, and increased risk of expensive machinery damage. We believe that if people are working at night, the area they're working in should be illuminated so that it becomes as close as possible to working on a clear day; possible with LED lighting. And yet up until recently, LEDs were too expensive to specify unless absolutely necessary, but the range showcased in the catalogue has changed that perception, and is now the preferred lighting choice for operators running machinery in the harshest environments.

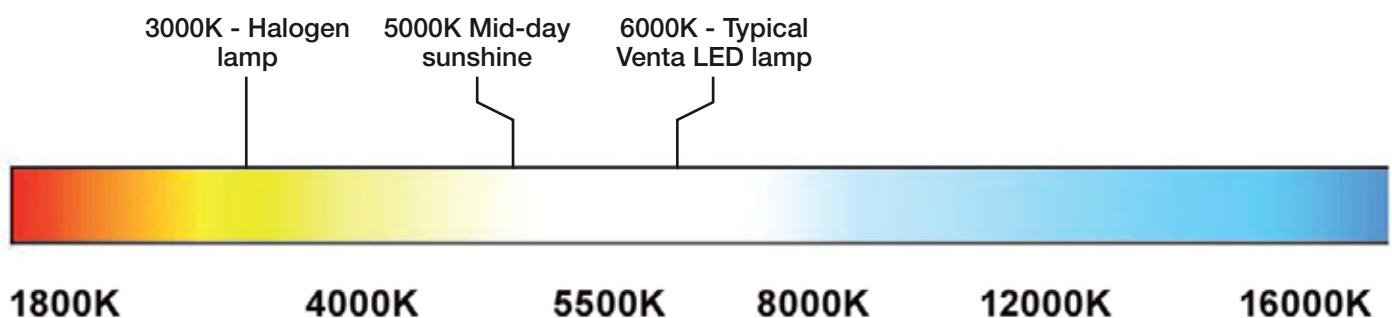
One real life example sums LED up succinctly: An agricultural contractor has 3 maize choppers running 24v systems, and is continually replacing alternators due to the high current draw on them, largely from running up to 14 55W halogen worklamps, 10 of them forward facing and running continually during night work. Solution: we specified 8 TXL9529 48W Venta LED worklamps facing forward, and 2 27W TXL9526 Venta worklamps used in loading/unloading, and one for reversing. Outcome: due to the increased light output from the 48W LED worklamps, the contractor is now running just 6 forward facing worklamps for night work, and the continuous alternator loading is reduced from 22.9A to 12A – a 48% reduction!

Contact us now to find out more.

How is LED "colour" measured?

Kelvin is a temperature scale designed so that zero degrees K is defined as absolute zero. So, why is the hue of a light called a "temperature"? This was started in the late 1800s, when the British physicist William Kelvin heated a block of carbon. It glowed in the heat, producing a range of different colors at different temperatures. The black cube first produced a dim red light, increasing to a brighter yellow as the temperature went up, and eventually produced a bright blue-white glow at the highest temperatures. In his honor, Color Temperatures are measured in degrees Kelvin, which are a variation on Centigrade degrees. Instead of starting at the temperature water freezes, the Kelvin scale starts at "absolute zero," which is -273 Centigrade. (Subtract 273 from a Kelvin temperature, and you get the equivalent in Centigrade.) However, the color temperatures attributed to different types of lights are correlated based on visible colors matching a standard black body, and are not the actual temperature at which a filament burns.

In it's practical application to worklamps, it is not until above 2500K that a light source begins to be useful, and halogen lamps typically produce a 3000K colour temperature. LED's can be produced in a range of colours, the most common being 6000K, which is regarded as the most like daylight. As colour temperature climbs above 7000K, the light output begins to diminish as its colour appears to become increasingly blue.



LED Worklamps



- 06 & 07: 90W Heavy Duty Worklamps
- 08 & 09: 60W Heavy Duty Worklamps
- 10: 50W Broad Beam Worklamp
- 11: 48W Worklamp
- 12: 42W Worklamp
- 13: 30W Connectable Worklamp
- 14: 30W Broad Beam Worklamp
- 15: 27W Handle Worklamp
- 16: 27W Worklamp Square
- 17: 27W Worklamp Round
- 18: 20W Broad Beam Worklamp
- 19: 18W Worklamp
- 20: 18W Specialized Worklamps
- 21: 18W Worklamp Magnetic
- 22: 18W Low Worklamp
- 23: 18W Slimline Worklamp
- 24: 16W Mini-Worklamp
- 25: 15W Worklamp
- 26: 15W Trunion Bracket Worklamp
- 27: 12W Mini-Worklamp
- 28: 10W Mini-Worklamp
- 29: 10W Mini-Worklamp
- 30: LED Worklamp Spare Parts

VENTA™
VEHICLE LIGHTING SOLUTIONS

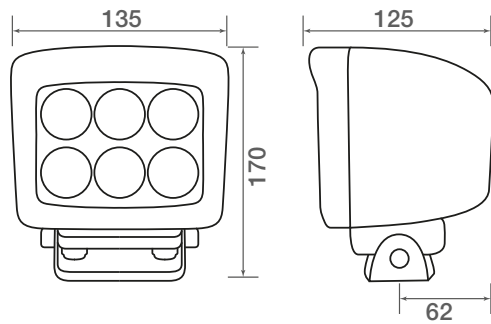
LED Worklamps

90W Worklamp with Anti-Vibration Mount

The industry heavyweight champion in LED worklamps. With 9 x 10W Cree™ LED chips producing an outstanding 9000 raw lumens and a heavy duty stamped mounting bracket connected to the lamp through a 4 pad anti-vibration suspension, these lamps are suited for use where day-like illumination is required in the harshest of environments. Suitable for use on tracked machines with extended movement cycles.



Dimensions



Specifications

Voltage	10-30v
Power.....	90W - 9 x 10W High Intensity Cree™ LED's
Output.....	9000 Raw lumens
Current.....	7.5A @ 12v; 3.25A @ 24v
IP Rating.....	IP68
Mount	Single Bolt, M10
Lens	Polycarbonate
EMC.....	EMI Suppressed
Operating Temp.....	-40° - 80°
Light Colour.....	6000k
Body	Diecast Aluminium
Bracket.....	High strength steel stamped bracket
Weight.....	2.55kg
Vibration.....	4 Pad Anti-vibration mount – 20Grms 24-2000Hz

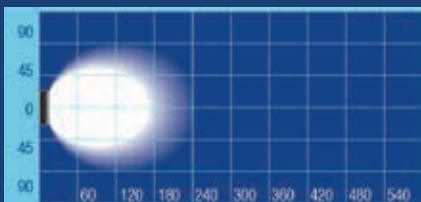
Part Numbers

TXL9585 - 90W worklamp with 60° wide flood beam pattern

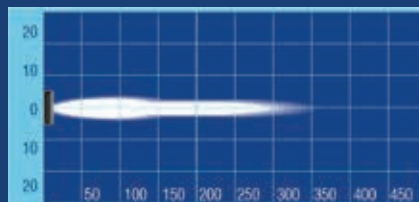
TXL9585L - 90W worklamp with 10° spot beam pattern

Beam Patterns

90 Degree Wide Flood



10 Degree Spot

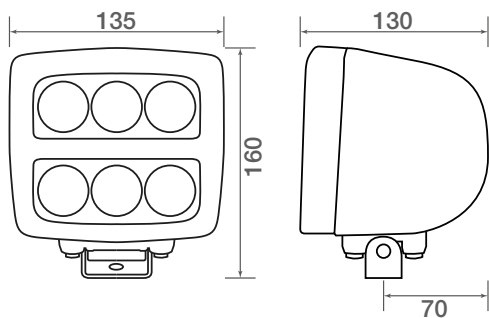


90W Worklamp with Anti-Vibration Mount

These lamps feature 6 15W Epistar™ LED chips and a stainless steel mounting bracket connected to the lamp through a 4 pad anti-vibration suspension. These lamps will provide day-like illumination in harsh working conditions. Suitable for use on tracked and off-road machines.



Dimensions



Specifications

Voltage	10-30v
Power	90W - 6 x 15W High Intensity LED's
Output	8100 Raw lumens
Current	7.5A @ 12v; 3.75A @ 24v
IP Rating.....	IP68
Mount	Single Bolt, M10
Lens	Polycarbonate
EMC	EMI Suppressed
Operating Temp.....	-40° - 80°
Light Colour.....	6000k
Body	Diecast Aluminium
Bracket.....	Stainless steel
Weight.....	1.86kg
Vibration	4 Pad Anti-vibration mount – 20Grms 24-2000Hz

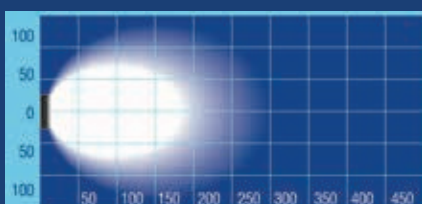
Part Numbers

TXL9590 - 90W worklamp with 60° wide flood beam pattern

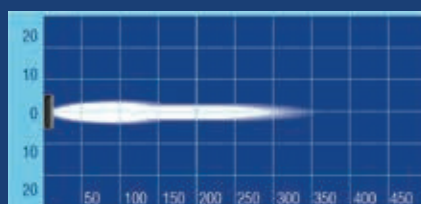
TXL9590L - 90W worklamp with 10° spot beam pattern

Beam Patterns

60 Degree Wide Flood



10 Degree Spot



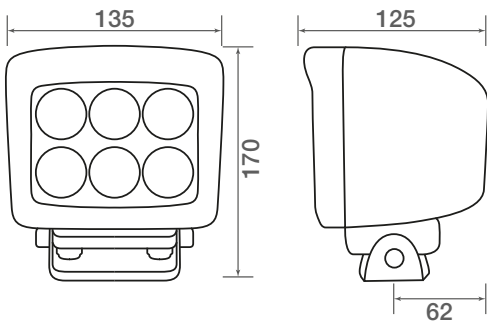
LED Worklamps

60W Worklamp with Anti-Vibration Mount

Built tough worklamps. With a heavy duty stamped mounting bracket connected to the lamp through a 4 pad anti-vibration suspension, and 6 x 10W Cree™ LED chips producing 6000 raw lumens of light, these lamps are suited for use in harsh environments where superb illumination is required. Suitable for use on tracked machines with extended movement cycles.



Dimensions



Specifications

Voltage	10-30v
Power.....	60W - 6 x 10W High Intensity Cree™ LED's
Output.....	6000 Raw lumens
Current.....	5A @ 12v; 2.5A @ 24v
IP Rating.....	IP68
Mount	Single Bolt, M10
Lens	Polycarbonate
EMC.....	EMI Suppressed
Operating Temp.....	-40° - 80°
Light Colour.....	6000k
Body	Diecast Aluminium
Bracket.....	High strength steel stamped bracket
Weight.....	2.55kg
Vibration.....	4 Pad Anti-vibration mount – 20Grms 24-2000Hz

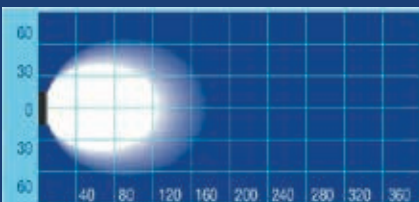
Part Numbers

TXL9580 - 60W worklamp with 90° extra wide flood beam pattern

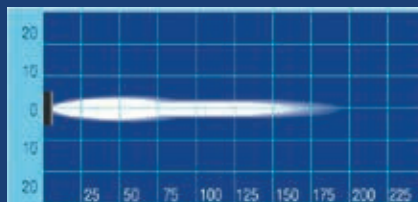
TXL9580L - 60W worklamp with 10° spot beam pattern

Beam Patterns

90 Degree Wide Flood



10 Degree Spot

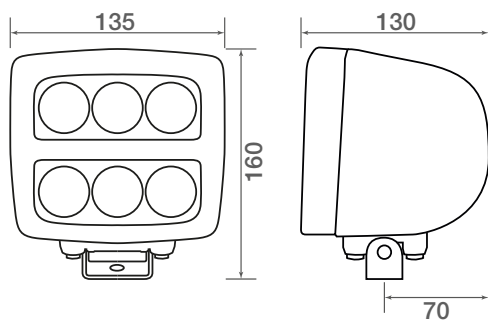


60W Worklamp with Anti-Vibration Mount

These lamps feature 6 10W Cree™ LED chips and a stainless steel mounting bracket connected to the lamp through a 4 pad anti-vibration suspension. These lamps will provide day-like illumination in harsh working conditions. Suitable for use on tracked and off-road machines.



Dimensions



Specifications

Voltage	10-30v
Power.....	60W - 6 x 10W High Intensity Cree™ LED's
Output.....	6000 Raw lumens
Current.....	5A @ 12v; 2.5A @ 24v
IP Rating.....	IP68
Mount	Single Bolt, M10
Lens	Polycarbonate
EMC.....	EMI Suppressed
Operating Temp.....	-40° - 80°
Light Colour.....	6000k
Body	Diecast Aluminium
Bracket.....	Stainless steel
Weight.....	1.86kg
Vibration	4 Pad Anti-vibration mount – 20Grms 24-2000Hz

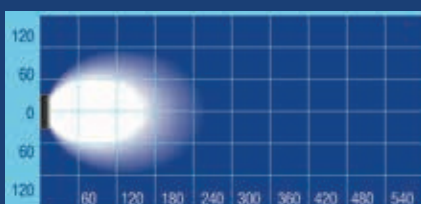
Part Numbers

TXL9595 - 60W Worklamp with 60° wide flood beam pattern

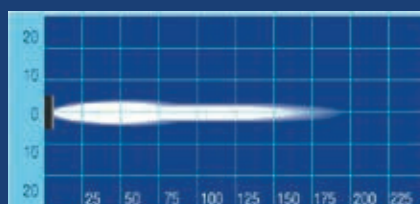
TXL9595L - 60W Worklamp with 10° spot beam pattern

Beam Patterns

60 Degree Wide Flood



10 Degree Spot



LED Worklamps



50W Broad Beam Worklamp

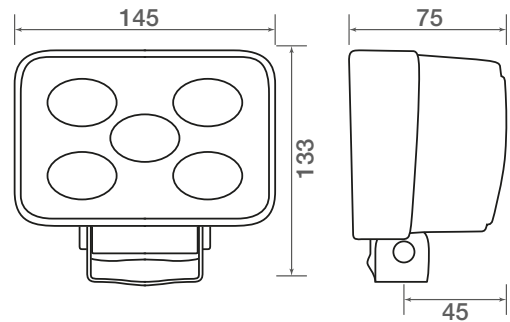
With 5000 Lumens, a 120° broad flood beam, this lamp is a near range illumination maestro, with a broad, even spread of light making it the obvious lamp choice for applications where good visibility to the edges of the work area is required.

Specifications

Voltage	10-30v
Power.....	50W - 5 x 10W High Intensity Cree™ LED's
Output.....	5000 Raw lumens
Current.....	4.17A @ 12v; 2.08A @ 24v
IP Rating.....	IP67
Mount	Single bolt, M8
Lens	Polycarbonate
EMC.....	EMI Suppressed
Operating Temp.....	-40° - 80°
Light Colour.....	6000k
Body	Diecast Aluminium
Bracket.....	Stainless steel
Weight.....	1.35kg



Dimensions

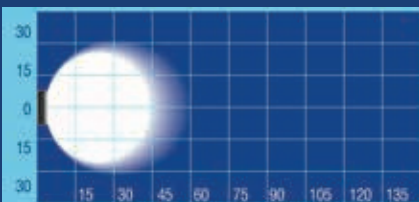


Part Numbers

TXL9535 - 50W worklamp with 120° super Wide flood beam pattern

Beam Patterns

120 Degree Super Wide Flood



48W Worklamp

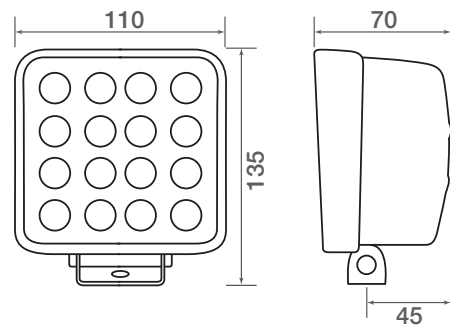
These lamps are suited for any prolonged night time work, and their excellent mid-range illumination makes them particularly suited for use on equipment travelling at mid-range speeds. With an output matching that of 45W HID/ Xenon lamps, they are also a suitable replacement for these.

Specifications

Voltage	10-30v
Power.....	48W - 16 x 3W High Intensity LED's
Output.....	4320 Raw lumens
Current.....	4A @ 12v; 2A @ 24v
IP Rating.....	IP67
Mount	Single bolt, M8
Lens	Polycarbonate
EMC.....	EMI Suppressed
Operating Temp.....	-40° - 80°
Light Colour.....	6000k
Body	Diecast Aluminium
Bracket.....	Stainless steel
Weight.....	1.04kg



Dimensions



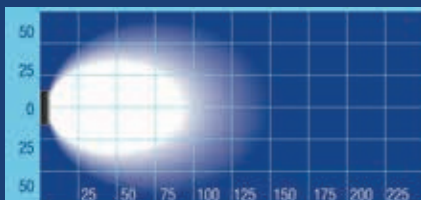
Part Numbers

TXL9529 - 48W worklamp with 60° wide flood beam pattern

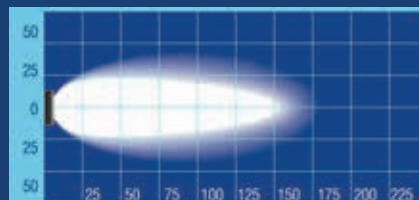
TXL9530 - 48W worklamp with 30° narrow Flood beam pattern

Beam Patterns

60 Degree Wide Flood



30 Degree Narrow Flood



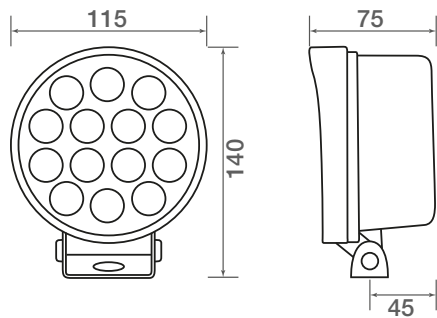
LED Worklamps

42W Worklamp

This lamp gives an option to users who prefer the aesthetic appeal of a round worklamp, or those who may be replacing an existing round halogen lamp. Either way, they are suited for any prolonged night time work, and their excellent mid-range illumination makes them particularly suited for use on equipment travelling at mid-range speeds. The 10° pencil beam gives effective distance illumination, and is a low profile, low cost LED driving lamp option in lower speed or off-road applications.



Dimensions



Specifications

Voltage	10-30v
Power	42W - 14 x 3W High Intensity LED's
Output	3780 raw lumens
Current	3.5A @ 12v; 1.75A @ 24v
IP Rating.....	IP67
Mount	Single bolt, M8
Lens	Polycarbonate
EMC	EMI Suppressed
Operating Temp.....	-40° - 80°
Light Colour.....	6000k
Body	Diecast Aluminium
Bracket.....	Stainless steel
Weight.....	0.95kg

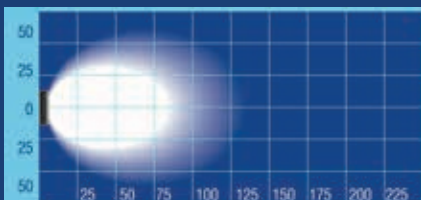
Part Numbers

TXL9532 - 42W worklamp with 60° wide flood beam pattern

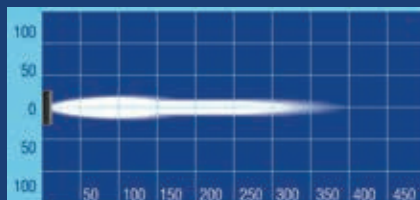
TXL9532L - 42W worklamp with 10° spot beam pattern

Beam Patterns

60 Degree Wide Flood



10 Degree Spot

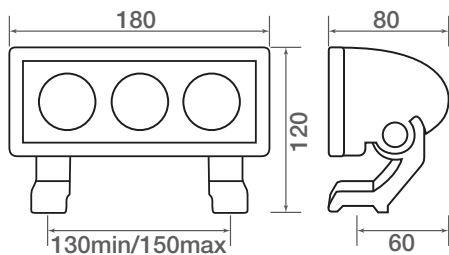


30W Connectable Worklamp

This lamp features the ability to be connected to others of its type, giving the ability to build a bank of lights in any vertical or horizontal orientation in a mix of flood and spot beams. The bracket is designed to make mounting easy too, with the ability to mount on horizontal or vertical surfaces.



Dimensions



Specifications

Voltage	10-30v
Power.....	30W - 3 x 10W High Intensity Cree™ LED's
Output.....	3000 raw lumens
Current.....	2.5A @ 12v; 1.25A @ 24v
IP Rating.....	IP67
Mount	2 bracket; 1 x M8 bolt each
Lens	Polycarbonate
EMC.....	EMI Suppressed
Operating Temp.....	-40° - 80°
Light Colour.....	6000k
Body	Diecast Aluminium
Bracket.....	High strength magnesium alloy
Weight.....	1.38kg

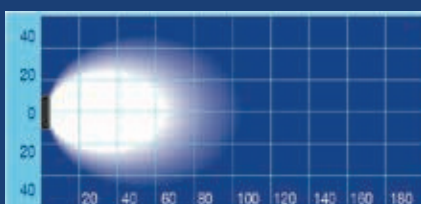
Part Numbers

TXL9534 - 30W worklamp with 60° wide flood beam pattern

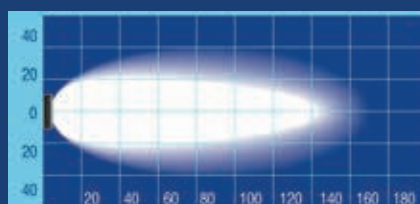
TXL9534L - 30W worklamp with 30° narrow flood beam pattern

Beam Patterns

60 Degree Wide Flood



30 Degree Narrow Flood



LED Worklamps

30W Broad Beam Worklamp

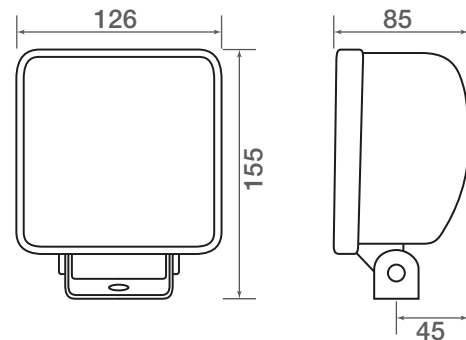


With a 160° super-broad flood beam, this lamp is a near range illumination maestro, with a broad, even spread of light making it the obvious lamp choice for applications where good visibility to the edges of the work area is required.

Specifications

Voltage	10-30v
Power.....	30W - 1 x 30W Mega Power LED
Output.....	2700 Raw lumens
Current	2.5A @ 12v; 1.25A @ 24v
IP Rating.....	IP67
Mount	Single bolt, M8
Lens	Polycarbonate
EMC.....	EMI Suppressed
Operating Temp.....	-40° - 80°
Light Colour.....	6000k
Body	Diecast Aluminium
Bracket.....	Stainless steel
Weight.....	1.29kg

Dimensions

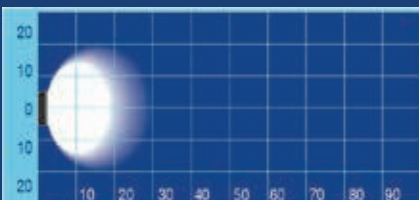


Part Numbers

TXL9540 - 30W worklamp with 160° super wide flood beam pattern

Beam Patterns

160 Degree Super Wide Flood



27W Worklamp with Switch and Handle



Featuring an inbuilt switch, nylon handle, inbuilt DT connector, and pedestal mount option, these lamps are ideal where changes in the illumination direction are required from a stationary vehicle. Suited to utilities, search and rescue, mining and other industrial applications. And recreational, if desired! Add a pedestal mount bracket if these lamps are intended for changes in direction of illumination, see below.

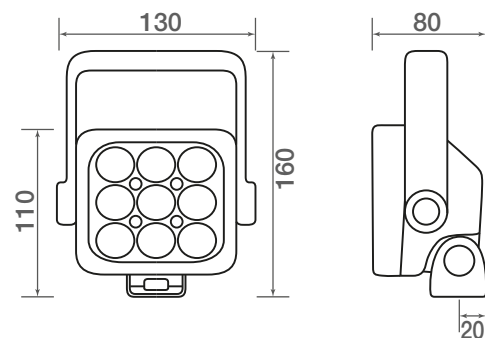
Specifications

Voltage 9-32v
 Power 27W - 9x3W High Intensity Cree™ LED's
 Output 2700 Raw lumens
 Current 2.2A @ 12v; 1.1A @ 24v
 IP Rating IP68
 Mount Single bolt, M8
 Lens Polycarbonate
 EMC EMI Suppressed
 Operating Temp... -40° - 80°
 Light Colour 6000k
 Body Diecast Aluminium
 Bracket Stainless steel
 Weight 0.19kg
 Switch Waterproof Heavy Duty Silicon
 Handle ABS plastic
 Cable Inbuilt Deutsch connector, supplied with plug and lead.



TXL9510 Pedestal mount bracket.

Dimensions



Part Numbers

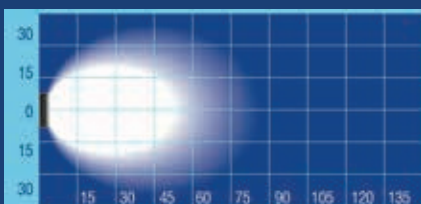
TXL9555SW - 27W switched worklamp with 60° Wide flood beam pattern

TXL9555LSW - 27W switched worklamp with 10° spot beam pattern

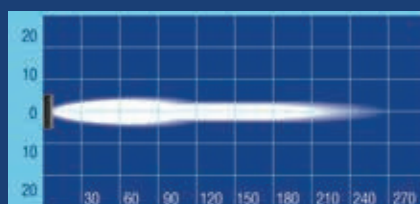
TXL9510 - Pedestal mounting bracket

Beam Patterns

60 Degree Wide Flood



10 Degree Spot



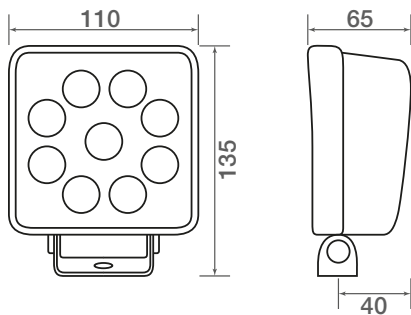
LED Worklamps

27W Worklamp Square

With one and a half times the light output of a halogen worklamp, these lamps are a cost effective alternative, and are one of the Venta™ bestsellers. Available also in Round.



Dimensions



Specifications

Voltage	10-30v
Power.....	27W - 9 x 3W High Intensity LED's
Output	2430 raw lumens
Current	2.2A @ 12v; 1.1A @ 24v
IP Rating.....	IP67
Mount	Single bolt, M8
Lens	Polycarbonate
Operating Temp.....	-40° - 80°
Light Colour.....	6000k
Body	Diecast Aluminium
Bracket.....	Stainless steel
Weight.....	0.69kg

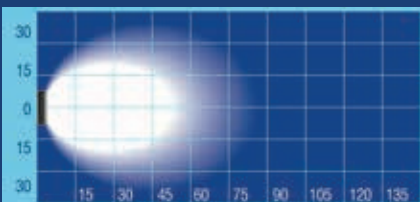
Part Numbers

TXL9526 - 27W worklamp with 60° wide flood beam pattern

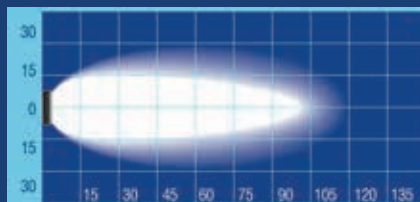
TXL9526L - 27W worklamp with 30° narrow flood beam pattern

Beam Patterns

60 Degree Wide Flood



30 Degree Narrow Flood

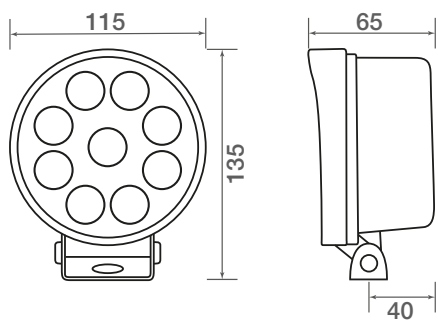


27W Worklamp Round

With one and a half times the light output of a halogen worklamp, these lamps are a cost effective alternative, and are one of the VentaTM bestsellers. Available also in Square.



Dimensions



Specifications

Voltage	10-30v
Power.....	27W - 9 x 3W High Intensity LED's
Output.....	2430 raw lumens
Current.....	2.2A @ 12v; 1.1A @ 24v
IP Rating.....	IP67
Mount	Single bolt, M8
Lens	Polycarbonate
Operating Temp.....	-40° - 80°
Light Colour.....	6000k
Body	Diecast Aluminium
Bracket.....	Stainless steel
Weight.....	0.73kg

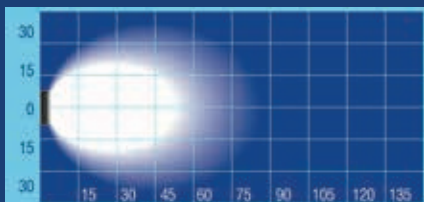
Part Numbers

TXL9527 - 27W worklamp with 60° wide flood beam pattern

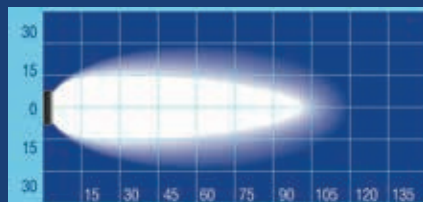
TXL9527L - 27W worklamp with 30° narrow flood beam pattern

Beam Patterns

60 Degree Wide Flood



30 Degree Narrow Flood



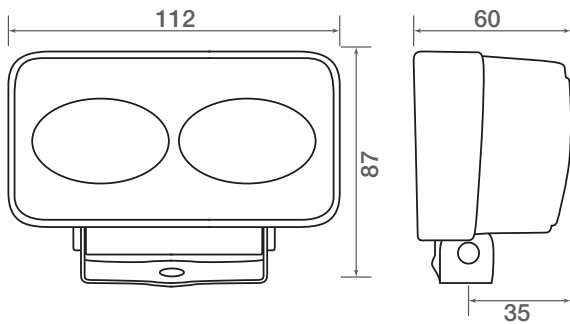
LED Worklamps

20W Broad Beam Worklamp

This lamp is an ideal close-range option for effective illumination. It's broad 90° beam gives an even spread of light, and improves safety by minimizing dark spots and shadows sometimes observed on lamp arrays with narrower beam patterns than this one.



Dimensions



Specifications

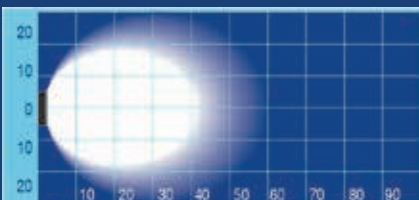
Voltage	10-30v
Power	20W – 2 x 10W High Intensity Cree™ LED's
Output	2000 Raw lumens
Current	1.67A @ 12v; 0.83A @ 24v
IP Rating.....	IP67
Mount	Single bolt, M8
Lens	Polycarbonate
EMC	EMI suppressed
Operating Temp.....	-40° - 80°
Light Colour.....	6000k
Body	Diecast Aluminium
Bracket.....	Stainless steel
Weight.....	0.54kg

Part Numbers

TXL9533 - 20W worklamp with 90° extra wide flood beam pattern

Beam Patterns

90 Degree Extra Wide Flood

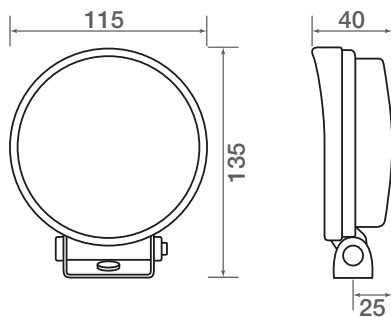


18W Worklamp

Equivalent in light output to a 55W halogen lamp, this lamp is the Venta™ bestseller. It is cost effective as a direct replacement, and with its brighter light, makes the choice between LED and halogen alternatives a no-brainer.



Dimensions



Specifications

Voltage	10-30v
Power.....	18W - 6 x 3W High Intensity LED's
Output.....	1620 Raw lumens
Current.....	1.5A @ 12v; 0.75A @ 24v
IP Rating.....	IP67
Mount	Single bolt, M8
Lens	Polycarbonate
Operating Temp.....	-40° - 80°
Light Colour.....	6000k
Body	Diecast Aluminium
Bracket.....	Stainless steel
Weight.....	0.56kg

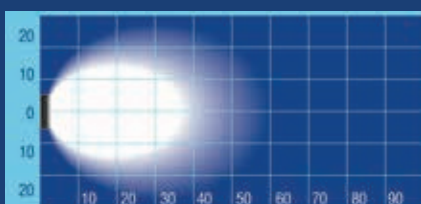
Part Numbers

TXL9523 - 18W worklamp with 60° wide flood beam pattern

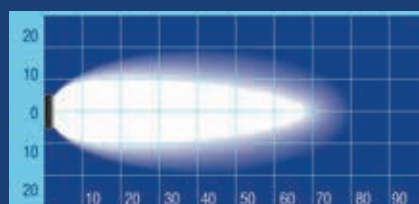
TXL9523L - 18W Worklamp with 30° narrow flood beam pattern

Beam Patterns

60 Degree Wide Flood



30 Degree Narrow Flood



LED Worklamps

18W Worklamp - EMI Free and 10-80v

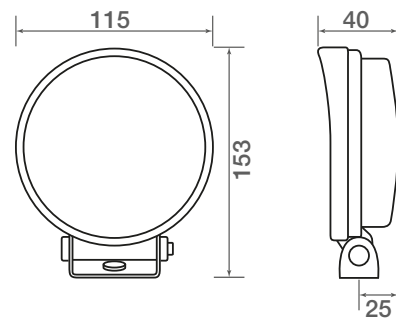
These lamps are variants of the best-selling TXL9523 worklamp, with the benefits of EMI suppression added along with a 10-80v option for use on electric forklifts and similar access equipment.



Specifications

Voltage	TXL9523E80 -10-80v; TXL9523EMI - 10-30v
Power.....	18W - 6 x 3W High Intensity LED's
Output.....	1620 Raw lumens
Current.....	1.5A @ 12v; 0.75A @ 24v
IP Rating.....	IP67
Mount	Single bolt, M8
Lens	Polycarbonate
EMC.....	EMI suppressed
Operating Temp.....	-40° - 80°
Light Colour.....	6000k
Body	Diecast Aluminium
Bracket.....	Stainless steel
Weight.....	0.56kg

Dimensions



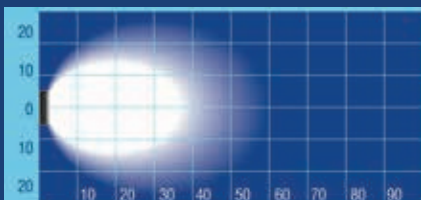
Part Numbers

TXL9523E80 - 18W worklamp with 60° wide flood beam pattern; 10-80v capable

TXL9523EMI - 18W worklamp with 60° wide flood beam pattern; EMI suppressed

Beam Patterns

60 Degree Wide Flood

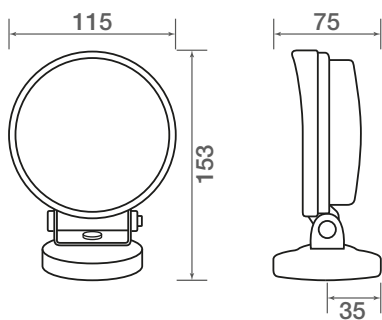


18W Worklamp with Magnetic Base

TXL9523 worklamp with a cigarette lighter plug on a 2 m cable and magnetic base. Use it for any temporary work or recreation lighting requirement.



Dimensions



Specifications

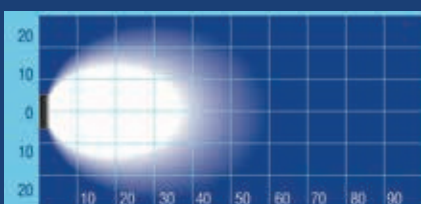
Voltage	10-30v
Power.....	18W - 6 x 3W High Intensity LED's
Output.....	1620 Raw lumens
Current.....	1.5A @ 12v; 0.75A @ 24v
IP Rating.....	IP67
Mount	Single bolt, M8
Lens	Polycarbonate
Operating Temp.....	-40° - 80°
Light Colour.....	6000k
Body	Diecast Aluminium
Bracket.....	Stainless steel
Weight.....	0.93kg
Cable.....	Wired to a Cig Plug with 2M Cable

Part Numbers

TXL9523MAG - 18W
magnetic base worklamp with
60° wide flood beam pattern

Beam Patterns

60 Degree Wide Flood



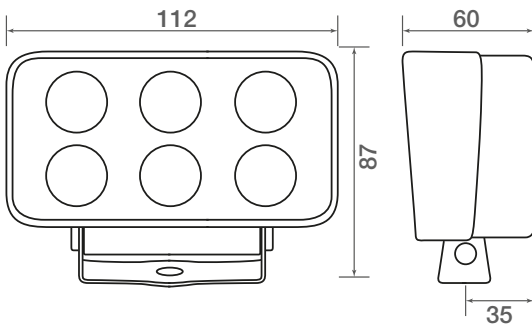
LED Worklamps

18W Worklamp

Equivalent in light output to a 55W halogen lamp, this lamp has a low profile, and suited for any near range lighting application. It is cost effective as a direct replacement for halogen lamps, and also features EMI suppression as standard.



Dimensions



Specifications

Voltage	10-30v
Power	18W - 6 x 3W High Intensity LED's
Output	1620 Raw lumens
Current	1.5A @ 12v; 0.75A @ 24v
IP Rating.....	IP67
Mount	Single bolt, M8
Lens	Polycarbonate
EMC	EMI suppressed
Operating Temp.....	-40° - 80°
Light Colour.....	6000k
Body	Diecast Aluminium
Bracket.....	Stainless steel
Weight.....	0.54kg

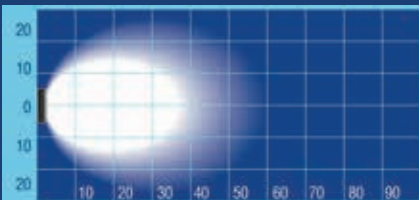
Part Numbers

TXL9528 - 18W worklamp with 60° wide flood beam pattern

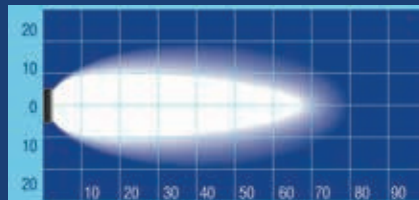
TXL9528L - 18W worklamp with 30° narrow flood beam pattern

Beam Patterns

60 Degree Wide Flood



30 Degree Narrow Flood



18W Slimline Worklamp

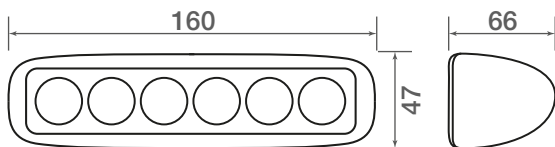
Where not much else will fit, this lamp will! These lamps are commonly used where space constraints exist, and their mounting bracket, which can be fixed to any vertical or horizontal surface, give flexibility in how it can be mounted that few other lamps can.



Bracket shown in position for mounting to a vertical surface



Dimensions



Specifications

Voltage	10-30v
Power.....	18W - 6 x 3W High Intensity LED's
Output.....	1620 Raw lumens
Current.....	1.5A @ 12v; 0.75A @ 24v
IP Rating.....	IP67
Mount	Single bolt, M8
Lens	Polycarbonate
Operating Temp.....	-40° - 80°
Light Colour.....	6000k
Body	Diecast Aluminium
Bracket.....	Painted steel
Weight.....	0.54kg

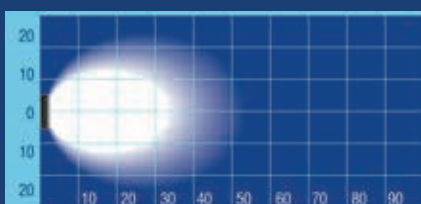
Part Numbers

TXL9521 - 18W worklamp with 60° wide flood beam pattern

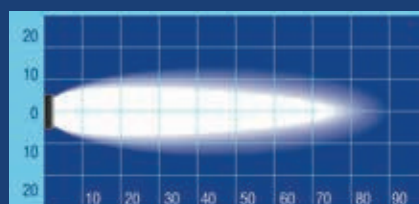
TXL9521L - 18W worklamp with 25° narrow flood beam pattern

Beam Patterns

60 Degree Wide Flood



25 Degree Narrow Flood



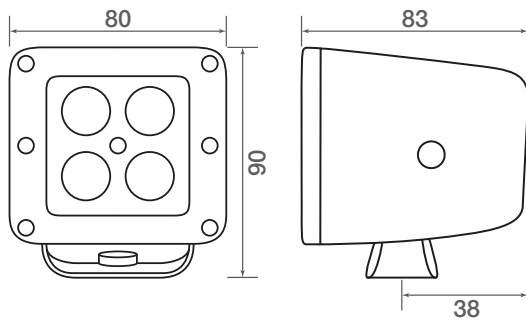
LED Worklamps

16W Mini-Worklamp

These are a small-sized LED light that punches above its weight in light output, with 1600 raw lumens. Their light weight makes them well-suited for applications where weight must be minimized, and the ability of the bracket to swing through a full 200° gives the ability to mount on any horizontal or vertical surface.



Dimensions



Specifications

Voltage	10-30v
Power.....	16W - 4 x 4W Cree™ LED
Output.....	1600 raw lumens
Current.....	1.33A @ 12v; 0.67A @ 24v
IP Rating.....	IP67
Mount	Single bolt, M8
Lens	Polycarbonate
Operating Temp.....	-40° - 80°
Light Colour.....	6000k
Body	Diecast Aluminium
Bracket.....	Stainless steel
Weight.....	0.67kg

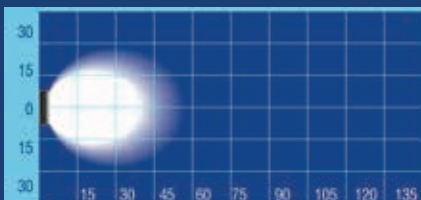
Part Numbers

TXL9520 - 16W worklamp with 40° narrow flood beam pattern

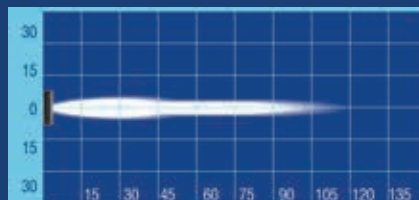
TXL9520L - 16W worklamp with 8° spot beam pattern

Beam Patterns

40 Degree Narrow Flood



8 Degree Spot

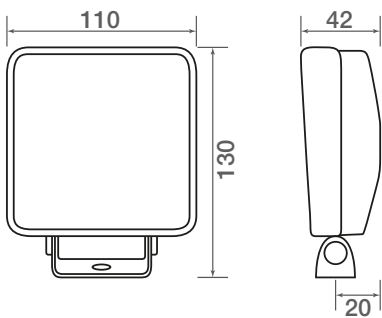


15W Worklamp

With a power draw of around a quarter of that of 55W halogen lamps, yet producing light of similar level, these worklamps are commonly fitted to smaller machines that typically have lower capacity electrical systems.



Dimensions



Specifications

Voltage	10-30v
Power.....	15W - 5 x 3W High Intensity LED's
Output.....	1350 raw lumens
Current.....	1.25A @ 12v; 0.6A @ 24v
IP Rating.....	IP67
Mount	Single bolt, M8
Lens	Polycarbonate
Operating Temp.....	-40° - 80°
Light Colour.....	6000k
Body	Diecast Aluminium
Bracket.....	Stainless steel
Weight.....	0.65kg

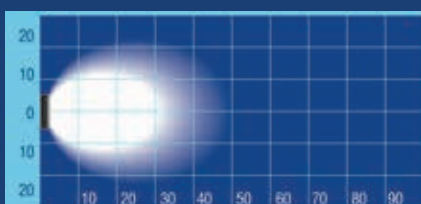
Part Numbers

TXL9522 - 15W worklamp with 60° wide flood beam pattern

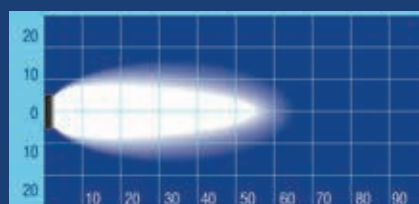
TXL9522L - 15W worklamp with 30° narrow flood beam pattern

Beam Patterns

60 Degree Wide Flood



30 Degree Narrow Flood



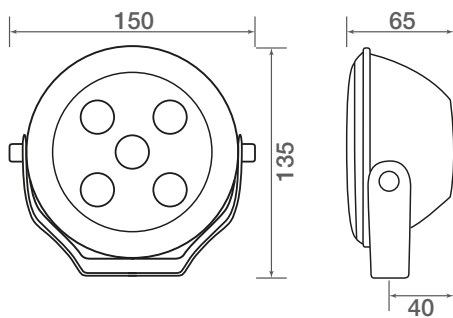
LED Worklamps

15W Worklamp - Trunion Bracket

A lamp with full EMI suppression for Marine, Mining & other applications. Able to be pendant or upright mounted on horizontal and vertical surfaces.



Dimensions



Specifications

Voltage	9-32v
Power.....	15W - 5 x 3W High Intensity Cree™ LED's
Output.....	1500 Raw lumens
Current.....	1.25A @ 12v; 0.6A @ 24v
IP Rating.....	IP67
Mount	Single bolt, M8
Lens	Polycarbonate
EMC.....	EMI suppressed
Operating Temp.....	-40° - 80°
Light Colour.....	6000k
Body	Diecast Aluminium
Bracket.....	Stainless steel trunion type
Weight.....	0.77kg
Cable.....	2M terminated in a DT 2 pin connector

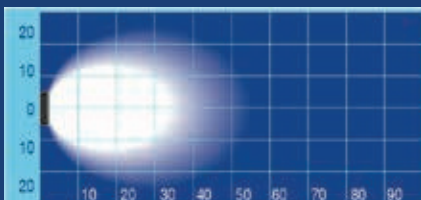
Part Numbers

TXL9550 - White 15W work-lamp with 60° Wide flood beam pattern

TXL9551 - Black 15W work-lamp with 60° Wide flood beam pattern

Beam Patterns

60 Degree Wide Flood



12W Mini-Worklamp

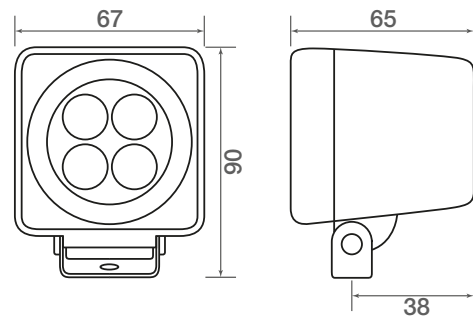
An ideal LED lighting option for applications where weight and size considerations are important.



Specifications

Voltage	10-30v
Power.....	12W - 4 x 3W High Intensity LED's
Output.....	1080 raw lumens
Current.....	1A @ 12v; 0.5A @ 24v
IP Rating.....	IP67
Mount	Single bolt, M8
Lens	Polycarbonate
Operating Temp.....	-40° - 80°
Light Colour.....	6000k
Body	Diecast Aluminium
Bracket.....	Stainless steel
Weight.....	0.39kg

Dimensions



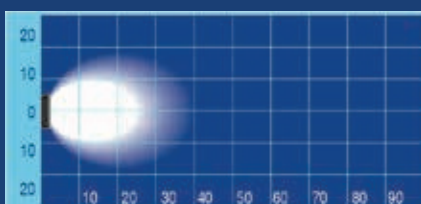
Part Numbers

TXL9543 - 12W worklamp with 60° Wide flood beam pattern

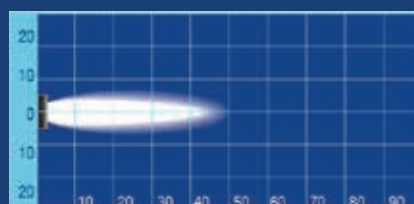
TXL9544 - 12W worklamp with 20° narrow flood beam pattern

Beam Patterns

60 Degree Wide Flood



20 Degree Narrow Flood



LED Worklamps

10W Mini-Worklamp

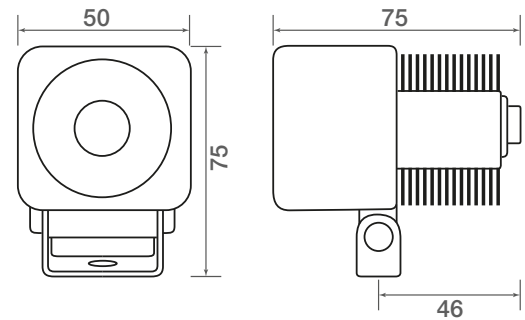
These lamps can be connected together, creating a bank of lights with impressive illumination. They are a compact lamp option with low power draw, and boast Cree™ LED's with excellent efficiency.



Specifications

Voltage	10-30v
Power.....	10W - 1 x Cree™ LED
Output.....	1000 raw lumens
Current	0.83A @ 12v; 0.42A @ 24v
IP Rating.....	IP67
Mount	Single bolt, M8
Lens	Polycarbonate
Operating Temp.....	-40° - 80°
Light Colour.....	6000k
Body	Diecast Aluminium
Bracket.....	Stainless steel
Weight.....	0.4kg

Dimensions



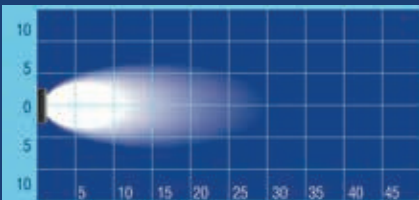
Part Numbers

TXL9541 - 10W worklamp with 40° narrow flood beam pattern

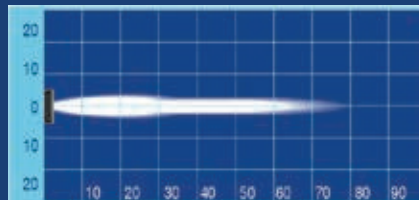
TXL9542 - 10W worklamp with 8° spot beam pattern

Beam Patterns

40 Degree Narrow Flood

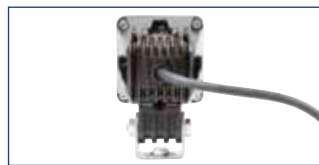


8 Degree Spot

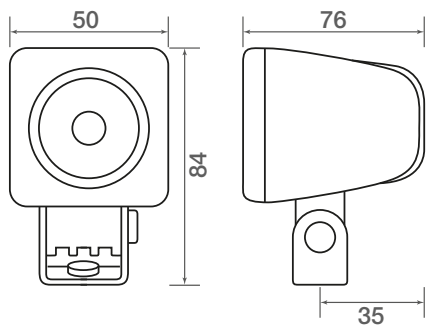


10W Mini-Worklamp

With a stubby 61mm deep body, these lamps are able to be fitted easily in confined spaces.



Dimensions



Specifications

Voltage	10-30v
Power.....	10W - 1 x Cree™ LED
Output.....	1000 raw lumens
Current.....	0.83A @ 12v; 0.42A @ 24v
IP Rating.....	IP67
Mount	Single bolt, M8
Lens	Polycarbonate
Operating Temp.....	-40° - 80°
Light Colour.....	6000k
Body	Diecast Aluminium
Bracket.....	Stainless steel
Weight.....	0.4kg

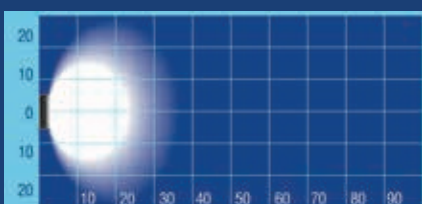
Part Numbers

TXL9548 - 10W worklamp with 60° wide flood beam pattern

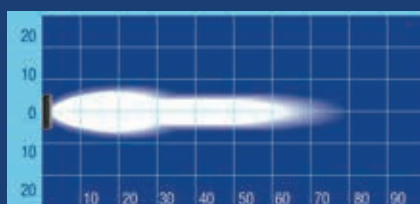
TXL9548L - 10W worklamp with 10° spot beam pattern

Beam Patterns

60 Degree Wide Flood



10 Degree Spot



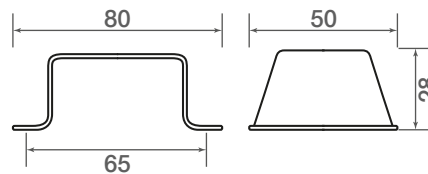
Worklamp Spare Parts

Showing TXL9526 worklamp fitted with options of TXL9510 pedestal mount bracket and TXL9515 handle.



Pedestal Mounted Bracket

Dimensions



Part Numbers

TXL9510 - Pedestal mount bracket kit to suit 10mm mounting bolt

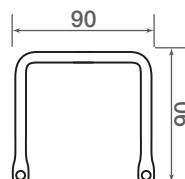
TXL95108 - Pedestal mount bracket kit to suit 8mm mounting bolt



Worklamp Handle

Handle to mount on rear of suitable worklamps, these being: TXL9529/30, TXL9532, TXL9526, TXL9527, TXL9533, TXL9523, and TXL9522.

Dimensions



Part Numbers

TXL9515 - LED Worklamp handle only



LED Lightbars



- 2: 120W Driving Lightbar
- 33: 90W Driving Lightbar
- 34: 60W Driving Lightbar
- 35: 30W Driving Lightbar
- 36: 240W Lightbar
- 37: 180W Lightbar
- 38: 120W Lightbar
- 39: 72W Lightbar
- 40: 36W Lightbar

VENTA™
VEHICLE LIGHTING SOLUTIONS

LED Lightbars

120W Driving Lightbar

When you need serious light output being thrown serious distances, this driving light bar, with 12000 Lumens, is the one to turn to. Low profile and easy to mount on a vertical or horizontal surface, and available in 10° pencil or a 10°/60° combo beam.



Specifications

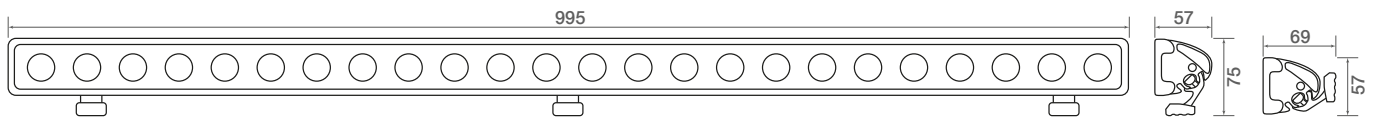
Voltage	10-30V DC
Power.....	120W – 24 x 5W Cree™ LED's
Output	12000 raw lumens
Current.....	10A @ 12v; 5A @ 24v
IP Rating.....	IP67
Mount.....	3 point
Lens	Polycarbonate
EMC.....	EMI Supressed
Operating Temp.....	-40° - 65°C
Light Colour.....	6000k
Body	Extruded Aluminium
Bracket.....	Magnesium alloy x 3
Cable.....	0.5m with DT plug and 0.5m lead with DT plug
Weight.....	3.37kg

Part Numbers

TXL9703L - 995mm Lightbar with 10° pencil beam pattern

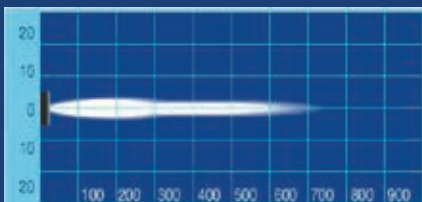
TXL9703C - 995mm Lightbar with combo pencil/flood beam pattern

Dimensions

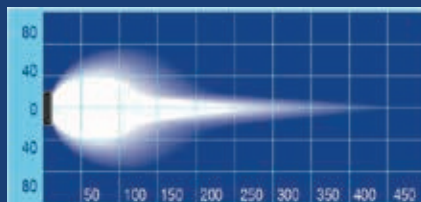


Beam Patterns

10 Degree Pencil Beam



Combo Beam Pattern



90W Driving Lightbar

This lightbar is an excellent option for mid-sized vehicles, where a smaller profile still produces a stunning light output with long distance throw. Low profile and easy to mount on a vertical or horizontal surface, and available in 10° pencil or a 10°/60° combo beam.



Specifications

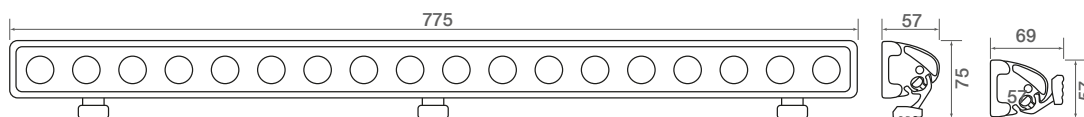
Voltage	10-30V DC
Power.....	90W – 18 x 5W Cree™ LED's
Output	9000 raw lumens
Current	7.5A @ 12v; 3.25A @ 24v
IP Rating.....	IP67
Mount.....	3 point
Lens	Polycarbonate
EMC.....	EMI Supressed
Operating Temp.....	-40° - 65°C
Light Colour.....	6000k
Body	Extruded Aluminium
Bracket.....	Magnesium alloy x 3
Cable.....	0.5m with DT plug and 0.5m lead with DT plug
Weight.....	3.3kg

Part Numbers

TXL9702L - 755mm Lightbar with 10° pencil beam pattern

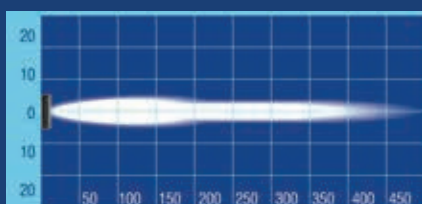
TXL9702C - 755mm Lightbar with combo pencil/flood beam pattern

Dimensions

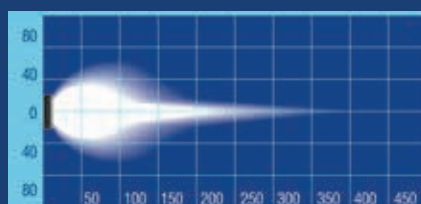


Beam Patterns

10 Degree Pencil Beam



Combo Beam Pattern



LED Lightbars

60W Driving Lightbar

Our bestselling single-row LED lightbar, the TXL9701 has the right mix of size and light output, and is ideally suited for utes as well as for larger vehicles. Low profile and easy to mount on a vertical or horizontal surface, and available in 10° pencil or a 10°/60° combo beam.



Specifications

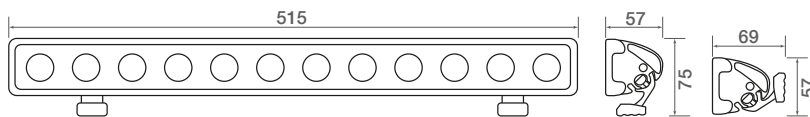
Voltage	10-30V DC
Power.....	60W – 12 x 5W Cree™ LED's
Output.....	6000 raw lumens
Current	5A @ 12v; 2.5A @ 24v
IP Rating.....	IP67
Mount.....	2 point
Lens	Polycarbonate
EMC.....	EMI Supressed
Operating Temp.....	-40° - 65°C
Light Colour.....	6000k
Body	Extruded Aluminium
Bracket.....	Magnesium alloy x 2
Cable.....	0.5m with DT plug and 0.5m lead with DT plug
Weight.....	2.44kg

Part Numbers

TXL9701L - 515mm Lightbar with 10° pencil beam pattern

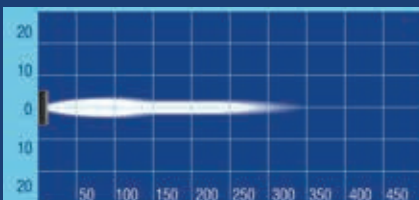
TXL9701C - 515mm Lightbar with combo pencil/flood beam pattern

Dimensions

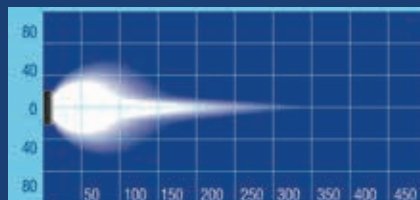


Beam Patterns

10 Degree Pencil Beam



Combo Beam Pattern



30W Driving Lightbar

TXL9700 lamps are small in size, and therefore easy to fit as a surface mounted or recessed application. Their power draw is such that multiples can be fitted to achieve the best possible beam pattern. Low profile and easy to mount on a vertical or horizontal surface.



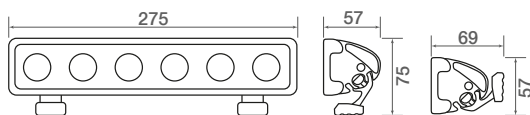
Specifications

Voltage	10-30V DC
Power	30W – 6 x 5W Cree™ LED's
Output	3000 raw lumens
Current	2.5A @ 12v; 1.25A @ 24v
IP Rating.....	IP67
Mount.....	2 point
Lens	Polycarbonate
EMC	EMI Supressed
Operating Temp.....	-40° - 65°C
Light Colour.....	6000k
Body	Extruded Aluminium
Bracket.....	Magnesium alloy x 2
Cable.....	0.5m with DT plug and 0.5m lead with DT plug
Weight.....	1.41kg

Part Numbers

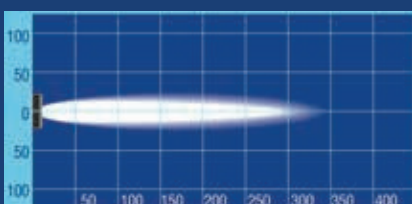
TXL9700L - 275mm Lightbar with 10° pencil beam pattern

Dimensions



Beam Patterns

10 Degree Pencil Beam



LED Lightbars

240W Lightbar

When you need serious light output being thrown serious distances, this driving light bar, with 21600 Lumens, is the one to turn to. Can be mounted on vertical or horizontal surfaces, and available in 10° pencil or a 60° flood beam patterns.



Specifications

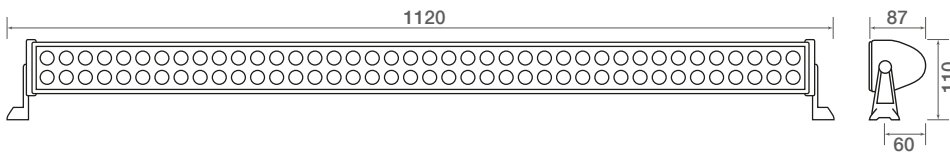
Voltage	10-30V DC
Power.....	240W – 80 x 3W LED's
Output	21600 raw lumens
Current	20A @ 12v; 10A @ 24v
IP Rating.....	IP67
Mount.....	2 point
Lens	Polycarbonate
Operating Temp.....	-40° - 65°C
Light Colour.....	6000k
Body	Extruded Aluminium
Bracket.....	Magnesium alloy x 2
Cable.....	0.5m
Weight.....	4.92kg

Part Numbers

TXL9708L - 1120mm Lightbar with 10° pencil beam pattern

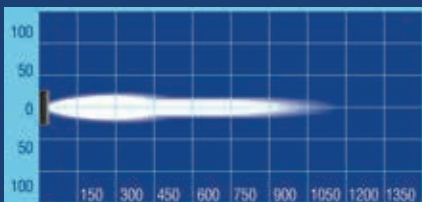
TXL9708 - 1120mm Lightbar with 60° wide flood beam pattern

Dimensions

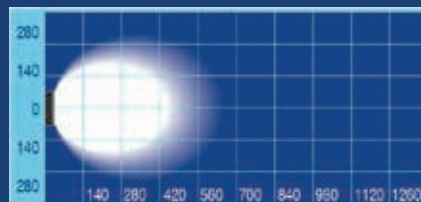


Beam Patterns

10 Degree Pencil Beam



60 Degree Wide Flood



180W Lightbar

TXL9707 lamps are high output lightbars, with 16200 Lumens of light output. Install these if the TXL9708 can't fit where you need it to - the light produced is stunning. Can be mounted on vertical or horizontal surfaces, and available in 10° pencil or a 60° flood beam patterns.



Specifications

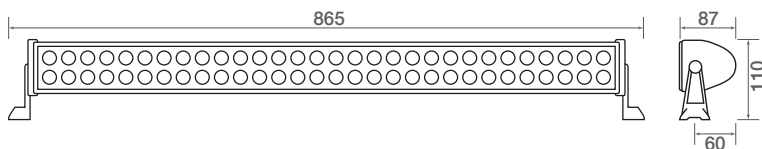
Voltage	10-30V DC
Power.....	180W – 60 x 3W LED's
Output.....	16200 raw lumens
Current.....	15A @ 12v; 7.5A @ 24v
IP Rating.....	IP67
Mount.....	2 point
Lens	Polycarbonate
Operating Temp.....	-40° - 65°C
Light Colour.....	6000k
Body	Extruded Aluminium
Bracket.....	Magnesium alloy x 2
Cable.....	0.5m
Weight.....	3.98kg

Part Numbers

TXL9707L - 865mm Lightbar with 10° pencil beam pattern

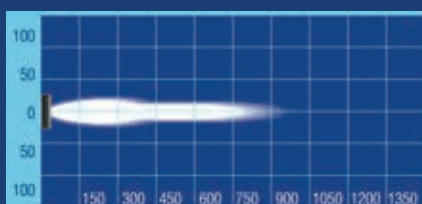
TXL9707 - 865mm Lightbar with 60° wide flood beam pattern

Dimensions

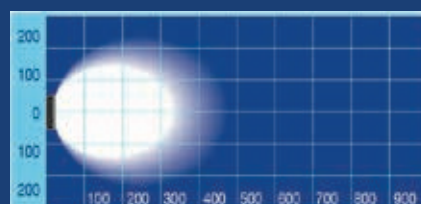


Beam Patterns

10 Degree Pencil Beam



60 Degree Wide Flood



LED Lightbars

120W Lightbar

This lightbar is our bestseller, and is an excellent option for mid-sized vehicles, where a smaller profile still produces superb light output. Easy to mount on a vertical or horizontal surface, and available in 10° pencil or a 60° flood beam.



Specifications

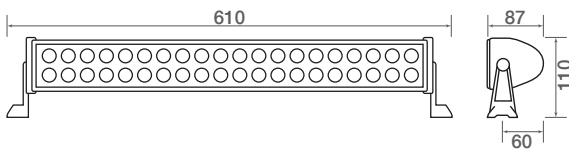
Voltage	10-30V DC
Power.....	120W – 40 x 3W LED's
Output.....	10800 raw lumens
Current.....	10A @ 12v; 5A @ 24v
IP Rating.....	IP67
Mount.....	2 point
Lens	Polycarbonate
Operating Temp.....	-40° - 65°C
Light Colour.....	6000k
Body	Extruded Aluminium
Bracket.....	Magnesium alloy x 2
Cable.....	0.5m
Weight.....	2.8kg

Part Numbers

TXL9706L - 610mm Lightbar
with 10° pencil beam pattern

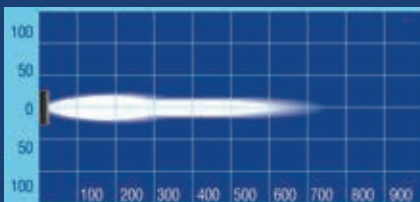
TXL9706 - 610mm Lightbar
with 60° wide flood beam pattern

Dimensions

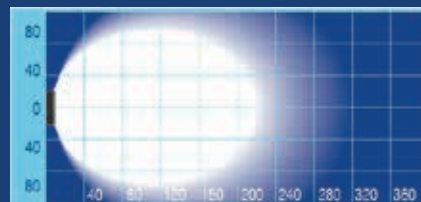


Beam Patterns

10 Degree Pencil Beam



60 Degree Wide Flood



72W Lightbar

The TXL9705 LED lightbars have the right mix of size and light output, and are ideally suited for utes as well as for larger vehicles. Easy to mount on a vertical or horizontal surface, and available in 10° pencil or a 60° flood beam.



Specifications

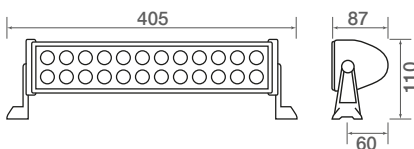
Voltage	10-30V DC
Power.....	72W – 24 x 3W LED's
Output.....	6480 raw lumens
Current.....	6A @ 12v; 3A @ 24v
IP Rating.....	IP67
Mount.....	2 point
Lens	Polycarbonate
Operating Temp.....	-40° - 65°C
Light Colour.....	6000k
Body	Extruded Aluminium
Bracket.....	Magnesium alloy x 2
Cable.....	0.5m
Weight.....	1.71kg

Part Numbers

TXL9705L - 405mm Lightbar with 10° pencil beam pattern

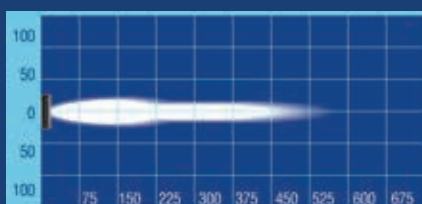
TXL9705 - 405mm Lightbar with 60° wide flood beam pattern

Dimensions

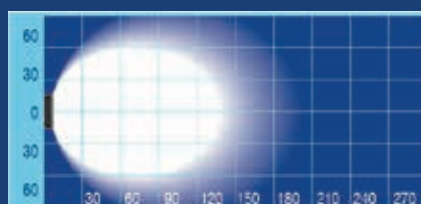


Beam Patterns

10 Degree Pencil Beam



60 Degree Wide Flood



LED Lightbars

36W Lightbar

An alternative to traditional worklamps, this lightbar is the smallest Venta one available. Easy to mount on a vertical or horizontal surface, and available in 10° pencil or a 60° flood beam.



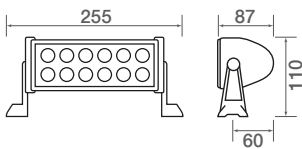
Voltage 10-30V DC
 Power..... 120W – 40 x 3W LED's
 Output..... 3240 raw lumens
 Current 10A @ 12v; 5A @ 24v
 IP Rating..... IP67
 Mount..... 2 point
 Lens Polycarbonate
 Operating Temp..... -40° - 65°C
 Light Colour..... 6000k
 Body Extruded Aluminium
 Bracket..... Magnesium alloy x 2
 Cable..... 0.5m
 Weight..... 1.09kg

Part Numbers

TXL9704L - 255mm Lightbar with 10° pencil beam pattern

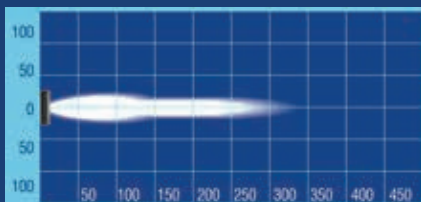
TXL9704 - 255mm Lightbar with 60° wide flood beam pattern

Dimensions



Beam Patterns

10 Degree Pencil Beam



60 Degree Wide Flood



Driving Lamps



- 42: 60W LED Driving Lamp
- 43: 225mm HID Xenon Driving Lamp
- 44: 175mm HID/Xenon Driving Lamp
- 45: 100mm HID/Xenon Driving Lamp
- 46: Daytime Running Lamps

VENTA[™]
VEHICLE LIGHTING SOLUTIONS

60W LED Driving Lamp

This is the lamp that has changed the way drivers see in the dark! If HID/Xenon lighting was a game changer, then this Venta™ LED driving light changes the game again. An impressive 6000Lm light output translates to stunning range and incredible instant-on night time visibility that gives unrivalled clarity and distance. These have to be seen and tried to be believed.

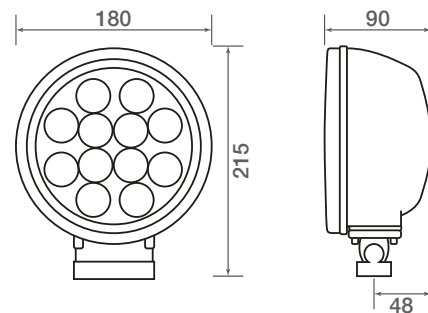


Specifications

Voltage	9-60v DC
Power	60W – 12 x 5W Cree™ LED's
Output	6000 raw lumens
Current	5A @ 12v; 2.5A @ 24v
IP Rating.....	IP67
Mount	Single bolt, M10.
Lens	Polycarbonate
EMC	EMI Suppressed
Operating Temp.....	-40°C to 80°C
Light Colour.....	6500k
Body	Diecast aluminium, black
Bracket.....	Nylon composite bracket and 316 stainless hardware
Weight.....	2.09kg
Vibration	4 Pad Anti-vibration mount – 20Grms 24-2000Hz
Cable.....	0.3m



Dimensions



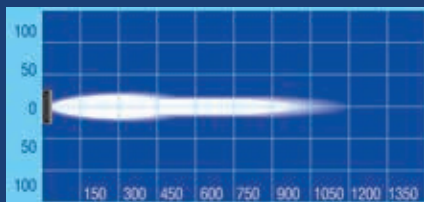
Part Numbers

TXL9800L - 9-60v LED
Driving lamp with 10° pencil beam pattern

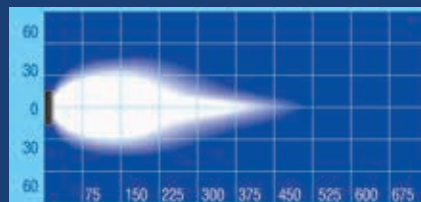
TXL9800 - 9-60v LED
Driving lamp with 45° euro flood beam pattern

Beam Patterns

10 Degree Spot



45 Degree Euro

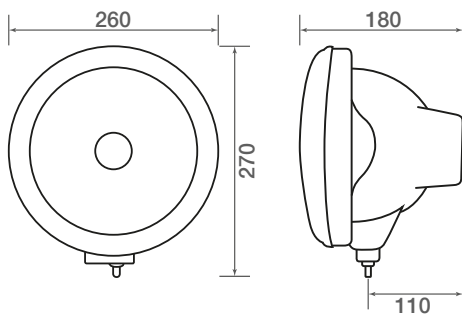


225mm HID Xenon Driving Lamp

These powerful 55W driving lamps with a 225mm lens have a superb range and light output, and are perhaps the most cost-effective, high output auxiliary driving lights available.



Dimensions



Specifications

Voltage	9-32v DC
Power.....	55W – H3 HID/Xenon bulb
Output.....	5000 raw lumens
Current.....	4.58A @ 12v; 2.29A @ 24v
IP Rating.....	IP65
Mount	Single bolt, M10
Lens	Borosilicate glass lens with Polycarbonate lens cover
Operating Temp.....	-40°C to 60°C
Light Colour.....	6000k
Body	Nylon composite
Bracket.....	Aluminium alloy
Weight.....	2.03kg
Cable.....	0.3m plus leads

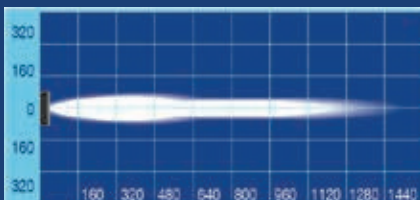
Part Numbers

TXH9176 - 55W 225mm HID Driving lamp with 10° pencil beam pattern

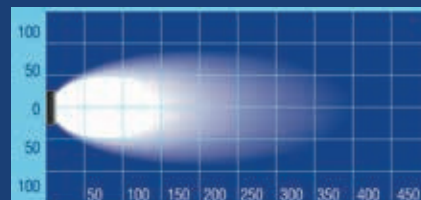
TXH9175 - 55W 225mm HID Driving lamp with 45° flood beam pattern

Beam Patterns

10 Degree Spot



45 Degree Euro



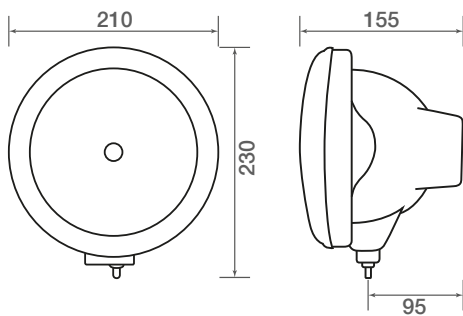
Driving Lamps

175mm HID Xenon Driving Lamp

For vehicles unable to fit 9" lamps, the 7" version is a more than capable substitute, still boasting 55W with little lost in the light range.



Dimensions



Specifications

Voltage	9-32v DC
Power	55W – H3 HID/Xenon bulb
Output	5000 raw lumens
Current	4.58A @ 12v; 2.29A @ 24v
IP Rating.....	IP65
Mount	Single bolt, M10
Lens	Borosilicate glass lens with Polycarbonate lens cover
Operating Temp.....	-40°C to 60°C
Light Colour.....	6000k
Body	Nylon composite
Bracket.....	Aluminium alloy
Weight.....	1.31kg
Cable.....	0.3m plus leads

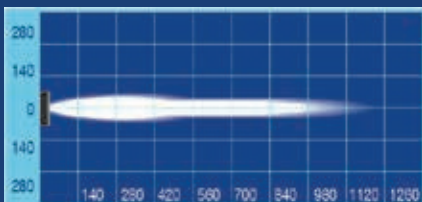
Part Numbers

TXH9166 - 55W 175mm
HID Driving lamp with
10° pencil beam pattern

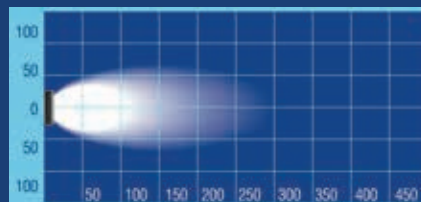
TXH9165 - 55W 175mm
HID Driving lamp with 45°
flood beam pattern

Beam Patterns

10 Degree Spot

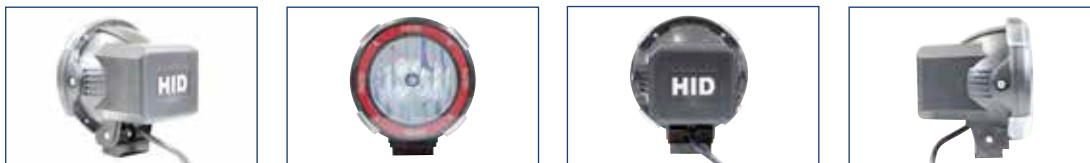


45 Degree Euro

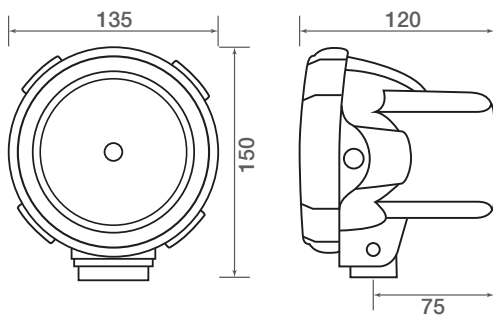


100mm HID Xenon Driving Lamp

A popular all rounder, these 4" 35W lights can be fitted easily to smaller vehicles, including quad bikes and other off road and 4WD vehicles. Although they output nearly double the light of 55W halogen lamps, they consume only 63% of the power in doing so.



Dimensions



Specifications

Voltage	9-32v DC
Power	35W – H3 HID/Xenon bulb
Output	3200 raw lumens
Current	2.91A @ 12v; 1.46A @ 24v
IP Rating.....	IP65
Mount	Single bolt, M10
Lens	Borosilicate glass lens with Polycarbonate lens cover
Operating Temp.....	-40°C to 60°C
Light Colour.....	6000k
Body	Nylon composite
Bracket.....	Aluminium alloy
Weight.....	0.84kg
Cable.....	0.3m plus leads

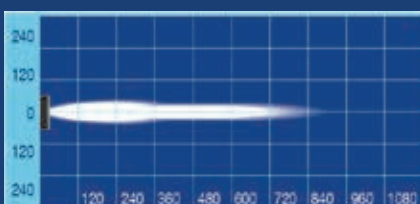
Part Numbers

TXH9136 - 35W 100mm HID Driving lamp with 10° pencil beam pattern

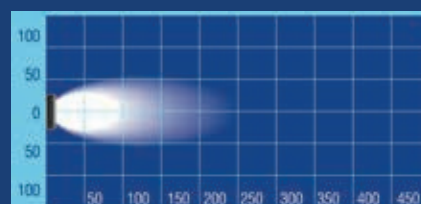
TXH9135 - 35W 100mm HID Driving lamp with 45° flood beam pattern

Beam Patterns

10 Degree Spot



45 Degree Euro

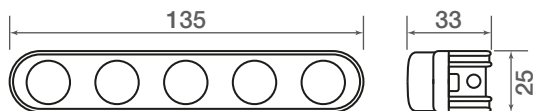


Daytime Running Lamps

Daytime Running Lamps are becoming a popular addition to many vehicles on the road, and have a safety benefit in that they lead to vehicles being seen early by other road users as many studies show. They are much more effective than dipped headlights as a safety device, as they are designed to throw light directly at the eye level of an oncoming driver. In addition to this, the efficiency of LED versions such as these can also dramatically reduce fuel consumption when compared to headlights being used in this mode.



Dimensions



Specifications

Voltage	10-30v DC
Power	5W
Output	450 raw lumens
Current	0.42A@12v; 0.21A@24v
IP Rating	IP65
Mount	Single bolt, M10
Lens	Polycarbonate
Operating Temp	-40°C to 60°C
Light Colour	6500k
Body	Alloy
Bracket	Steel
Weight	0.15kg each
Cable	0.25m

Part Numbers

TXL6000 - Daytime running lamp set with wiring loom

HID/Xenon Worklamps



- 48: 35W 100mm 12v HID Worklamps
- 49: 35W 100mm 24v HID Worklamps
- 50: 45W 100mm 9-32v HID Worklamps
- 51: 35W 100mm 9-32v HID Worklamps

VENTA™
VEHICLE LIGHTING SOLUTIONS

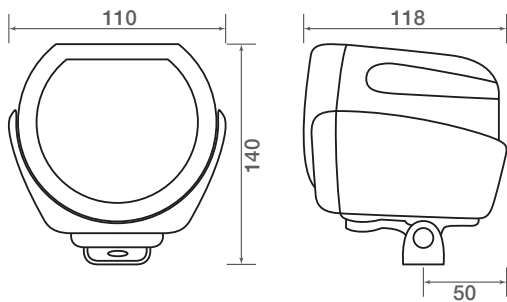
HID/Xenon Worklamps

Alloy Anti-Vibration HID Worklamp - 12v

A compact, high spec 12v HID/Xenon worklamp. The aluminium alloy body, underpinned by a 3-pad anti-vibration mount bracket, is built to withstand the knocks and perform well in harsh conditions.



Dimensions



Specifications

Voltage	12V DC Only
Power	35W with H3 Xenon bulb
Output	3200 raw lumens
Current	2.9A @ 12V
IP Rating	IP68
Mount	Single bolt, M10
Lens	Hardened borosilicate glass lens
Reflector	Precision metal reflector
Operating Temp.....	-40°C to 60°C
Light Colour	6000k
Body	Aluminium alloy body with 3 pad anti-vibration bracket
Bracket	Stainless steel mounting bracket and hardware
Weight	0.98kg
Dimensions	110Wx138Hx115Dmm
Shock	50G
Vibration	15.3Grms 24-2000Hz
Cable	Waterproof Deutsch™ type connector on fly lead

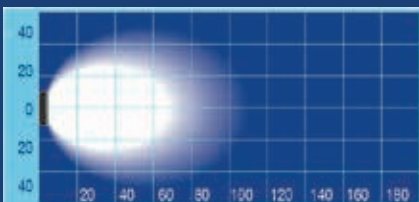
Part Numbers

TXH9065 - 35W 12v worklamp with 60° wide flood beam pattern

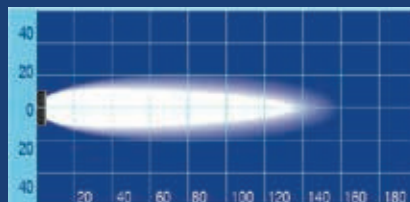
TXL9066 - 35W 12v worklamp with 20° spot beam pattern

Beam Patterns

60 Degree Wide Flood



20 Degree Spot

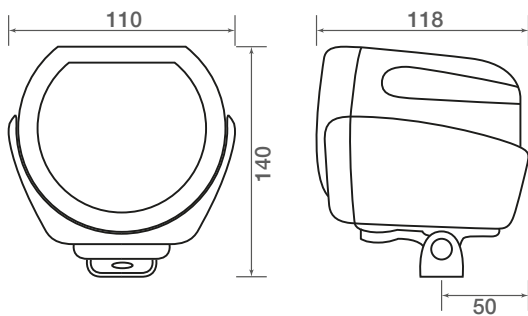


Alloy Anti-Vibration HID Worklamp - 24v

A compact, high spec 24v HID/Xenon worklamp. The aluminium alloy body, underpinned by a 3-pad anti-vibration mount bracket, is built to withstand the knocks and perform well in harsh conditions.



Dimensions



Specifications

Voltage	24V DC Only
Power	35W with H3 Xenon bulb
Output	3200 raw lumens
Current	1.45A @ 24V
IP Rating	IP68
Mount	Single bolt, M10
Lens	Hardened borosilicate glass lens
Reflector	Precision metal reflector
Operating Temp.....	-40°C to 60°C
Light Colour	6000k
Body	Aluminium alloy body with 3 pad anti-vibration bracket
Bracket.....	Stainless steel mounting bracket and hardware
Weight.....	0.95kg
Shock.....	50G
Vibration	15.3Grms 24-2000Hz
Cable.....	Waterproof Deutsch™ type connector on fly lead

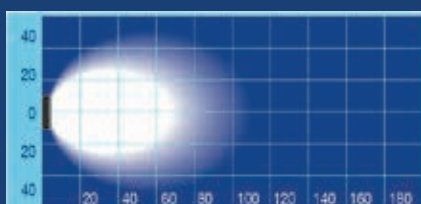
Part Numbers

TXH9075 - 35W 24v worklamp with 60° wide flood beam pattern

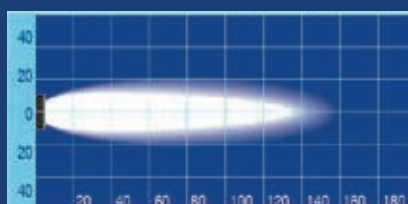
TXL9076 - 35W 24v worklamp with 20° spot beam pattern

Beam Patterns

60 Degree Wide Flood



20 Degree Spot



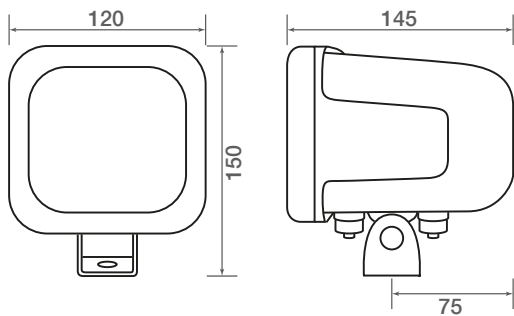
HID/Xenon Worklamps

4" Anti-Vibration HID Worklamp

These 45W HID/Xenon lamps are high-spec units, designed around a composite high strength body and 4 pad anti-vibration bracket mount.



Dimensions



Specifications

Voltage	9-32V DC
Power	45W with H3 Xenon bulb
Output	4200 raw lumens
Current	3.75A @ 12V 1.87A @24V
IP Rating.....	IP68
Mount	Single bolt, M10
Lens	Hardened borosilicate glass lens
Reflector.....	Precision metal reflector
Operating Temp.....	-40°C to 60°C
Light Colour.....	6000k
Body	Alloy and 4 Pad Anti-Vibration Bracket and Hi-Tech Composite Housing
Bracket.....	Stainless Steel Mounting Bracket and Hardware
Weight.....	0.99kg
Shock.....	50G
Vibration.....	12G rms 24-2000Hz
Cable.....	Waterproof Deutsch™ type connector on fly lead

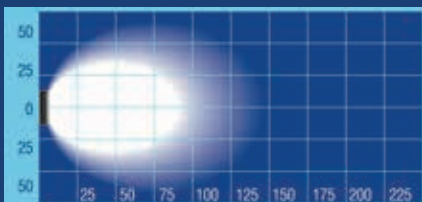
Part Numbers

TXH9011 - 45W
Worklamp with 60° wide flood beam pattern

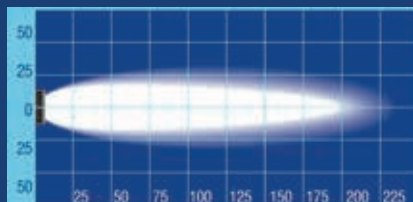
TXH9012 - 45W
Worklamp with 20° spot beam pattern

Beam Patterns

60 Degree Wide Flood



20 Degree Spot

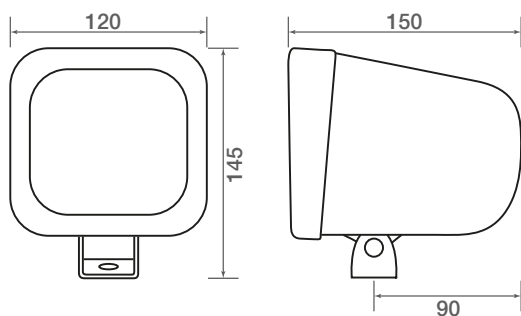


4" HID Worklamp

A cost-effective 35W HID/Xenon worklamp option, these are designed to be competitive with traditional halogen lamps. Although they output nearly double the light of 55W halogen lamps, they consume only 63% of the power in doing so.



Dimensions



Specifications

Voltage	9-32V DC
Power.....	35W H3 Xenon bulb
Output.....	3200 Raw lumens
Current	2.9A @ 12V 1.45A @24V
IP Rating.....	IP67
Mount	Single bolt, M10
Lens	Hardened borosilicate glass lens
Reflector.....	Precision metal reflector
Operating Temp.....	-40°C to 60°C
Light Colour.....	6000k
Body	High impact-resistant nylon housing
Bracket.....	Stainless steel mounting bracket and hardware
Weight.....	0.69kg
Dimensions.....	125Wx146Hx140Dmm

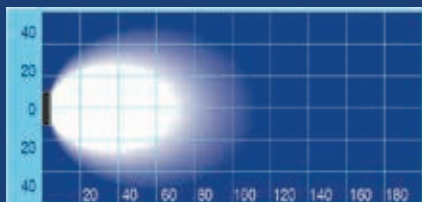
Part Numbers

TXH9021 - 35W Worklamp with 60° Wide flood beam pattern

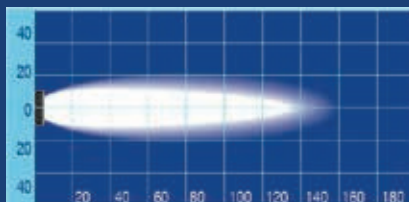
TXH9022 - 35W Worklamp with 20° Spot beam pattern

Beam Patterns

60 Degree Wide Flood



20 Degree Spot



Warning Beacons and Lightbars



- 54: 135mm LED Beacon
- 55: 95mm LED Beacon
- 56: 85mm LED Mini Beacon
- 57: 73mm LED 10-80v Beacon
- 58: 135mm Pole Mount LED Beacon
- 59: 95mm Pole Mount LED Beacon
- 60: 85mm Pole Mount LED Beacon
- 61: DIN Pole Mounts
- 62: LED Strobe Units
- 64: 275mm LED Minibar
- 65: 388mm LED Minibar
- 66: 490mm LED Warning Lightbar
- 67: 730mm LED Warning Lightbar
- 68: 1200mm LED Warning Lightbar
- 69: 1200mm LED Warning Lightbar with Workklamps
- 71: LED Warning Lamp Spares

VENTA™
VEHICLE LIGHTING SOLUTIONS

Warning Beacons and Lightbars

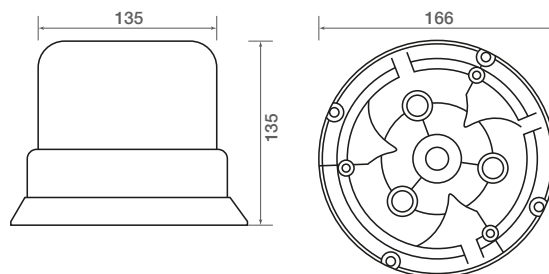
LED Beacon

Specifications

Voltage	10-30V DC
Power.....	18W – 36 0.5W SMD's
Current.....	1.5A @ 12v; 0.75A @ 24v
IP Rating.....	IP67
Lens	Amber Polycarbonate
Flash Patterns	4: Rotate, fast strobe, quad strobe, slow strobe.
Operating Temp.....	-40° - 65°C
Body	Polycarbonate
Cable.....	TXLB050A: 0.5m; TXLB050AM: 2m with cig plug.
Weight.....	Bolt on, 1kg; Magnetic, 1.41kg
Approvals	Performance - ECER65; EMC - ECER10



Dimensions



Note: Base mounting hole pattern is 4 on 150mm PCD; 112mm is the distance from hole to hole centres.
OR
3 holes to accept 6mm self tapping screws; pattern is 3 on 130mm PCD; 118mm is the distance from hole to hole centres.

Magnetic versions retain holes for permanent mounting if this is desired.

Part Numbers

TXLB050A - Large beacon, bolt on mount

TXLB050AM - Large beacon, magnetic mount

LED Beacon

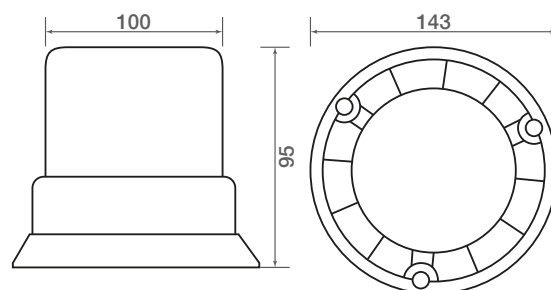


Specifications

Voltage	10-30V DC
Power.....	12W – 24 0.5W SMD's
Current.....	1A @ 12v; 0.5A @ 24v
IP Rating.....	IP67
Lens	Amber Polycarbonate
Flash Patterns	3: Rotate, fast strobe, slow strobe.
Operating Temp.....	-40° - 65°C
Body	Polycarbonate
Cable.....	TXLB010A: 0.5m; TXLB010M: 2m with cig plug.
Weight.....	Bolt on, 0.45kg; Magnetic, 0.63kg
Approvals	Performance – SAE J845 class 2; EMC - ECER10



Dimensions



Note: Base mounting hole pattern is 3 on 130mm PCD; 112mm is the distance from hole to hole centres.

Magnetic versions retain holes for permanent mounting if this is desired.

Part Numbers

TXLB010A - Medium beacon, bolt on mount

TXLB010M - Medium beacon, magnetic mount

Warning Beacons and Lightbars

Compact LED Beacon

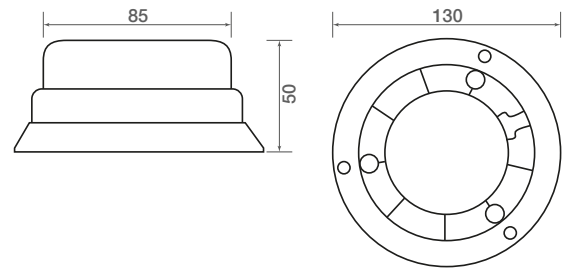


Specifications

Voltage	10-30V DC
Power.....	10W – 20 0.5W SMD's
Current.....	0.83A @ 12v; 0.42A @ 24v
IP Rating.....	IP67
Lens	Amber Polycarbonate
Flash Patterns	3: Rotate, fast strobe, slow strobe.
Operating Temp.....	-40° - 65°C
Body	Polycarbonate
Cable.....	TXLB009A: 0.5m; TXLB009M: 2m with cig plug.
Weight.....	Bolt on, 0.20kg; Magnetic, 0.44kg
Approvals	Performance – SAE J845 class 3; EMC - ECER10



Dimensions



Note: Base mounting hole pattern is 3 on 118mm PCD; 102mm is the distance from hole to hole centres.

Magnetic versions retain holes for permanent mounting if this is desired.

Part Numbers

TXLB009 - Small beacon, bolt on mount

TXLB009M - Small beacon, magnetic mount

Small LED Beacon

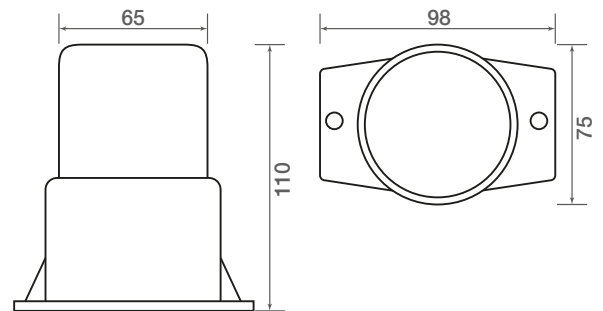


Specifications

Voltage	10-80V DC
Power.....	4.8W – 24 0.2W SMD's
Current.....	0.38A @ 12v; 0.2A @ 24v
IP Rating.....	IP67
Lens	Amber Polycarbonate
Flash Patterns	1: Double strobe
Operating Temp.....	-40° - 65°C
Body	Polycarbonate
Cable.....	0.5m
Weight.....	0.18kg
Approvals	Performance – SAE J845 class 3; EMC - ECER10



Dimensions



Part Numbers

TXLB006A - Small beacon, bolt on mount

Note: Base mounting holes are at 86mm centres.

Warning Beacons and Lightbars

LED Pole Mount Beacon

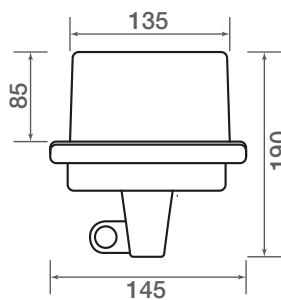


Specifications

Voltage	10-30V DC
Power.....	18W – 36 0.5W SMD's
Current.....	1.5A @ 12v; 0.75A @ 24v
IP Rating.....	IP67
Lens	Amber Polycarbonate
Flash Patterns	1: Rotate
Operating Temp.....	-40° - 65°C
Body	Composite plastic
Weight.....	0.78kg
Approvals	Performance - ECER65; EMC - ECER10



Dimensions



Part Numbers

TXLB050AP - Large beacon,
DIN pole mount

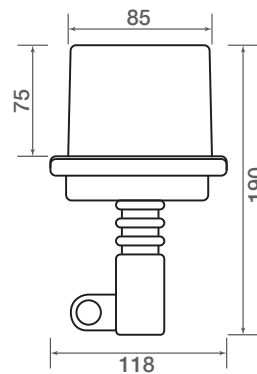
LED Pole Mount Beacon



Specifications

Voltage	10-30V DC
Power.....	12W – 24 0.5W SMD's
Current.....	1A @ 12v; 0.5A @ 24v
IP Rating.....	IP67
Lens	Amber Polycarbonate
Flash Patterns	1: Rotate
Operating Temp.....	-40° - 65°C
Body	Composite plastic
Weight.....	0.45kg
Approvals	Performance – SAEJ845 class 2; EMC - ECER10

Dimensions



Part Numbers

TXLB010AP - Medium beacon,
DIN pole mount

Warning Beacons and Lightbars

Compact LED Pole Mount Beacon

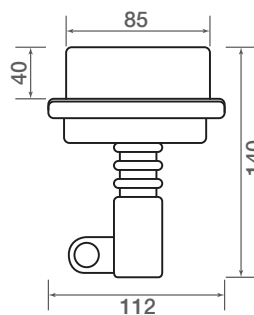


Specifications

Voltage	10-30V DC
Power.....	10W – 20 0.5W SMD's
Current.....	0.83A @ 12v; 0.42A @ 24v
IP Rating.....	IP67
Lens	Amber Polycarbonate
Flash Patterns	1: Rotate
Operating Temp.....	-40° - 65°C
Body	Composite plastic
Weight.....	0.23kg
Approvals	Performance – SAEJ845 class 3; EMC - ECER10



Dimensions



Part Numbers

TXLB009AP - Small beacon,
DIN pole mount



Weld-on DIN Pole Mount

TXLBPM01 - Zinc plated weld on DIN pole mount and socket to suit Venta pole mounted beacons



Bolt Through Pole Mount

TXLBPM02 - Zinc plated bolt thru DIN pole mount and socket to suit Venta pole mounted beacons



Bolt-on Pole Mount

TXLBPM03 - Zinc plated bolt on DIN pole mount and socket to suit Venta pole mounted beacon



Bolt-on Pole Mount - 90 Degree

TXLBPM07 - Zinc plated bolt on DIN pole mount and socket to suit Venta pole mounted beacons

Warning Beacons and Lightbars

Surface Mounted LED Strobe Unit



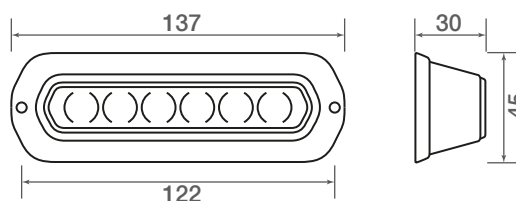
Part Numbers

TXLB30AS - surface mounted
amber strobe unit

Specifications

Voltage 10-30V DC
 Power 18W – 6 3W SMD's
 Current 1.5A @ 12v; 0.75A @ 24v
 IP Rating IP67
 Lens Polycarbonate
 Flash Patterns 5
 Operating Temp -40° - 65°C
 Body Aluminium Alloy
 Cable 0.3m
 Weight 0.15kg
 Approvals Performance – ECER65

Dimensions



Recess Mounted LED Strobe Unit



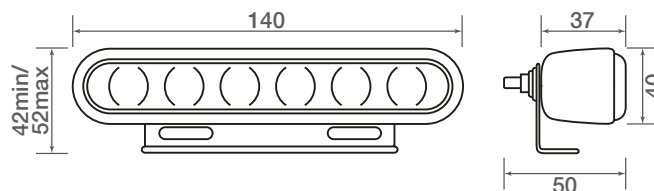
Part Numbers

TXLB30AR - recess mounted
amber strobe unit

Specifications

Voltage 10-30V DC
 Power 18W – 6 3W SMD's
 Current 1.5A @ 12v; 0.75A @ 24v
 IP Rating IP67
 Lens Polycarbonate
 Flash Patterns 5
 Operating Temp -40° - 65°C
 Body Aluminium Alloy
 Cable 0.3m
 Weight 0.17kg
 Approvals Performance – ECER65

Dimensions

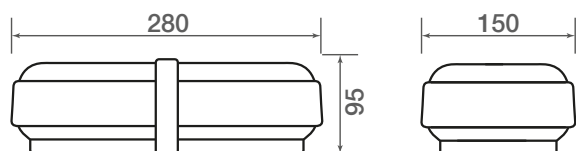


Warning Beacons and Lightbars

275mm LED Minibar



Dimensions



Specifications

Voltage	10-30V DC
Power.....	14W – 34 x 0.5W SMD's
Current	1.17A @ 12v; 0.58A @ 24v
IP Rating.....	IP67
Lens	Amber Polycarbonate
Flash Patterns	1: Fast Strobe
Operating Temp.....	-40° - 65°C
Body	ABS plastic
Cable.....	TXLB090A: 0.5m; TXLB090AM: 3m with cig plug.
Weight.....	TXLB090A: 0.95kg; TXLB090AM: 1.06kg
Approvals	EMC - ECER10

Part Numbers

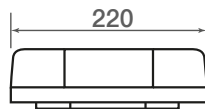
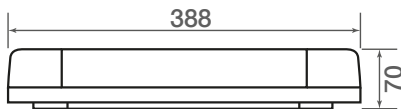
TXLS090A - Amber 275mm
minibar with bolt on mount

TXLS090AM - Amber 275mm
minibar with magnetic mount

388mm LED Minibar



Dimensions



Specifications

Voltage	10-30V DC
Power.....	28W – 56 x 0.5W SMD's
Current	2.33A @ 12v; 1.17A @ 24v
IP Rating.....	IP67
Lens	Clear Polycarbonate, amber flash
Flash Patterns	10
Operating Temp.....	-40° - 65°C
Body	ABS plastic
Cable.....	3m with cig plug.
Weight.....	2.39kg
Approvals	Performance – ECE R65; EMC - ECER10

Part Numbers

TXLS300AM - Amber 388mm minibar with magnetic mount

TXLS300A - Amber 388mm minibar without magnets

Note: It is possible to permanently mount these lightbars by unscrewing the magnetic feet and fixing into the captured nuts in the lightbar base.

Warning Beacons and Lightbars

490mm LED Lightbar



Specifications

Voltage	12-24v DC
Power	20W – 40 x 0.5W LED's
Current	1.67A @ 12v; 0.83A @ 24v
IP Rating.....	IP65
Lens	Amber Polycarbonate
Flash Patterns	18
Operating Temp.....	-20° - 50°C
Body	Aluminium extrusion; ends ABS plastic
Cable.....	TXLS100A: 2m; TXLS100AM: 1m spring cable with cig plug
Weight.....	TXLS100A: 4.80kg; TXLS100AM: 5.25kg

Part Numbers

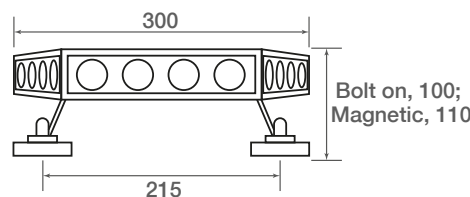
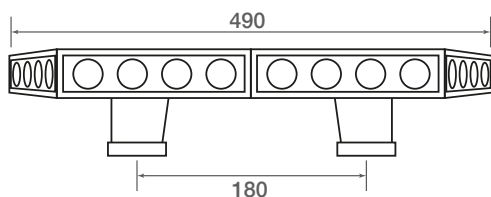
TXLS100A - Amber 490mm Lightbar with bolt on mount

TXLS100AM - Amber 490mm Lightbar with magnetic mount



Note: Cab-mounted controller supplied with each bolt-on TXLS100 series lightbar.

Dimensions



730mm LED Lightbar



Specifications

Voltage 12-24v DC
 Power 28W – 56 x 0.5W LED's
 Current 2.33A @ 12v; 1.17A @ 24v
 IP Rating..... IP65
 Lens Amber Polycarbonate
 Flash Patterns 18
 Operating Temp..... -20° - 50°C
 Body Aluminium extrusion; ends ABS plastic
 Cable..... TXLS110A: 2m; Magnetic: 1m spring cable with cig plug
 Weight..... TXLS110A: 6.79kg; TXLS110AM: 7.25kg



Part Numbers

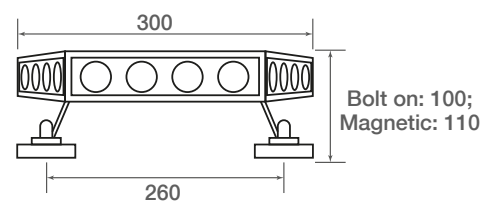
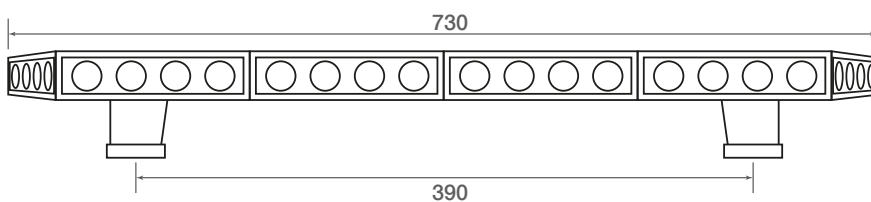
TXLS110A - Amber
730mm Lightbar with bolt on mount

TXLS110AM - Amber
730mm Lightbar with magnetic mount

TXLS110RM - Red
730mm Lightbar with magnetic mount

Note: Cab-mounted controller supplied with each bolt-on TXLS110 series lightbar.

Dimensions



Warning Beacons and Lightbars

1200mm Lightbar



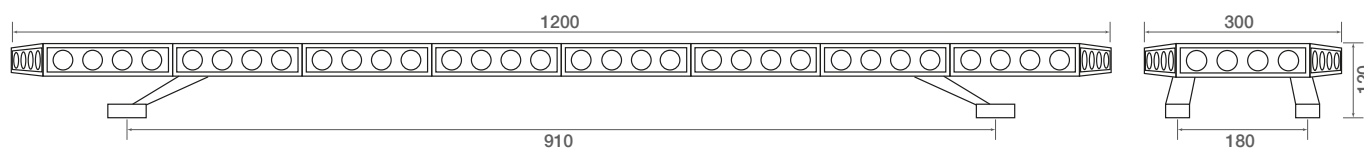
Specifications

Voltage	12-24v DC
Power	36W – 72 x 0.5W LED's
Current	3A @ 12v; 1.5A @ 24v
IP Rating.....	IP65
Lens	Amber Polycarbonate
Flash Patterns	18
Operating Temp.....	-20° - 50°C
Body	Aluminium extrusion; ends ABS plastic
Cable.....	2m
Weight.....	13.28kg

Part Numbers

TXLS130A - Amber 1200mm
Lightbar with bolt on mount

Dimensions



Above: Cab-mounted controller supplied with each bolt-on TXLS100 series lightbar.



At Left: 1200mm lightbars are supplied with one pair of end brackets also as shown.

1200mm Lightbar with Worklamps



Specifications

Voltage 12-24v DC
 Power..... Flashers: 28W – 56 x 0.5W LED's;
 Worklamps: 8W – 16 x 0.5W LED's
 Current Flashers: 2.33A @ 12v; 1.17A @ 24v;
 Worklamps: 0.67A @ 12v; 0.33A @ 24v
 IP Rating..... IP65
 Lens Flasher: Amber Polycarbonate;
 worklamps; clear polycarbonate
 Flash Patterns 18
 Operating Temp..... -20° - 50°C
 Body Aluminium extrusion; ends ABS plastic
 Cable..... 2m
 Weight..... 13.62kg



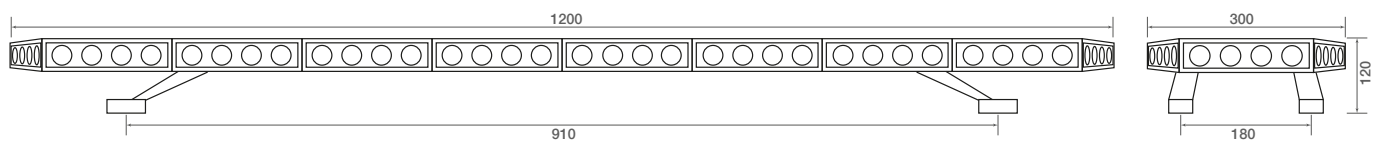
Above: Cab-mounted controller supplied with each TXLS130AL lightbar.

At Left: 1200mm lightbars are supplied with one pair of end brackets also as shown.

Part Numbers

TXLS130AL - Amber 1200mm
 Lightbar with bolt on mount and
 worklamps

Dimensions



Warning Beacons and Lightbars



LED Module

- Suits TXLS100 - TXLS130 Lightbars

Replacement LED modules for all TXLS100 - TXLS130 flashing lightbars

Part Numbers

TXLS4MOD - Amber 4 LED module only

TXLS4MODG - Green 4 LED module only

TXLS4MODB - Blue 4 LED module only

TXLS4MODR - Red 4 LED module only



Magnetic Foot

- Suits TXLS100 - TXLS130 Lightbars

Replacement Magnetic foot for all TXLS100 - TXLS130 flashing lightbars

Part Numbers

TXLSMB - Magnetic foot only



Control Module

- Suits TXLS100 - TXLS130 Lightbars

Suited for use with all TXLS100-TXLS130 permanently mounted lightbars with flashing functions only

Part Numbers

TXLSCON1 - Control module with plug

LED Signal and Marker Lamps



- 72: 160mm LED Tail Lamp
- 73: 125mm LED Tail Lamp
- 74: 200mm LED Tail Lamp
- 75: 200mm LED Tail Lamp with Reverse
- 76: LED Marker Lamps and Number Plate Lamp

VENTA[™]
VEHICLE LIGHTING SOLUTIONS

LED Signal and Marker Lamps

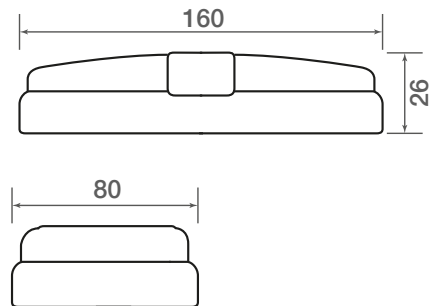
1 60mm LED Tail Lamp

Specifications

Voltage	10-30V DC
Power	Stop, 2W; Indicator, 1W; Tail, 0.8W.
IP Rating	IP68, submersible in 8m cable options
Lens	Polycarbonate
Functions	Stop, Tail, Indicator, Number Plate, Reflector
Operating Temp	-40° - 65°C
Body	Polycarbonate
Cable	0.3m - 8m
Weight	0.2kg
Approvals	ECE, E-marked



Dimensions



Note: Each R/H lamp features 2 inbuilt number plate lamps, one in the long and one in the short side. Each NPL has its own power cable, allowing either to be used as the circumstances dictate.

Note: A flexible license plate lamp mount is supplied with each L1200MKC tail lamp kit with long cables as standard.

Part Numbers

L1200MR3 - LED Stop, Tail, Indicator tail lamp with Number plate lamps x 2, and 3m cables

L1200ML - LED Stop, Tail, Indicator tail lamp, and 0.3m cables

L1200MKC - LED tail lamp kit, featuring one L/H lamp, one R/H lamp - both with 8m cables, and one license plate lamp holder.

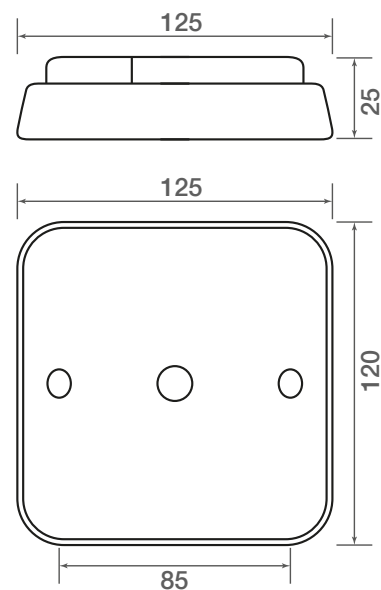
125mm LED Tail Lamp

Specifications

Voltage	10-30V DC
Power	Stop, 2W; Indicator, 1W; Tail, 0.7W.
IP Rating	IP65
Lens	Polycarbonate
Functions.....	Stop, Tail, Indicator, Number Plate, Reflector
Operating Temp	-40° - 65°C
Body	Polycarbonate
Cable	0.3m - 3m
Weight	0.18kg
Approvals	ECE, E-marked



Dimensions



Part Numbers

L2000MR3 - LED Stop, Tail, Indicator tail lamp with Number plate lamp, and 3m cables

L2000ML - LED Stop, Tail, Indicator tail lamp, and 0.3m cables

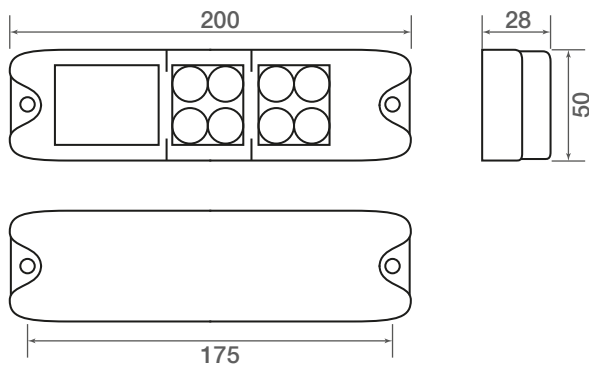
Note: License plate lamp is located in the 120mm long side of the lamp

LED Signal and Marker Lamps

200mm LED Tail Lamp



Dimensions



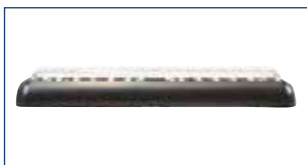
Specifications

Voltage	10-30V DC
Power	Stop, 2W; Indicator, 1W; Tail, 0.5W; Reverse, 2W.
IP Rating	IP67
Lens	Polycarbonate
Functions	Stop, Tail, Indicator, Reverse, Reflector
Operating Temp	-40° - 65°C
Body	Polycarbonate
Cable	0.3m
Weight	0.2kg
Approvals	ECE, E-marked

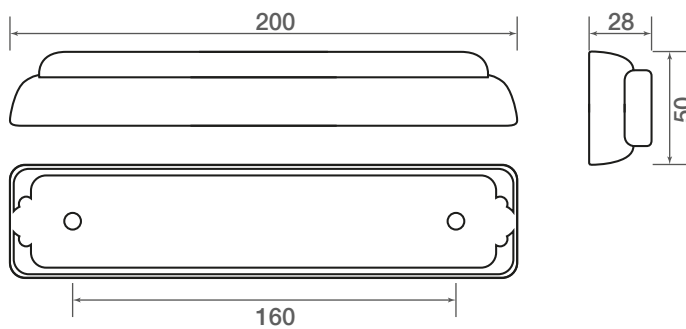
Part Numbers

L2610M - LED Stop, Tail, Indicator
tail lamp with reverse function

200mm LED Tail Lamp



Dimensions



Specifications

Voltage	10-30V DC
Power.....	L2500M: Stop, 2W; Indicator, 2W; Tail, 0.5W; L2502 - L2506: 4W
IP Rating	IP67
Lens	Polycarbonate
Operating Temp.....	-40° - 65°C
Body	Polycarbonate
Cable	0.3m
Weight	0.2kg

Part Numbers

L2500M - Red/Amber LED
Stop, tail indicator lamp

L2502M - White LED reverse/
interior lamp

L2504M - Amber LED indicator
lamp

L2506M - Red LED stop/tail
lamp

LED Signal and Marker Lamps



L4630A - Red/Amber LED side marker lamp.

L4634A - amber LED outline/marker lamp.

L4632A - White LED outline/marker lamp.

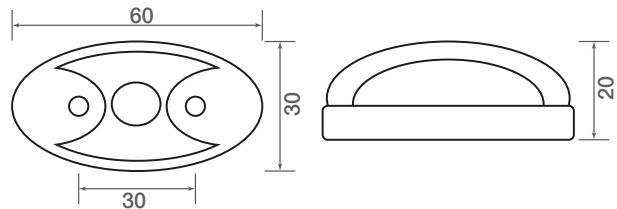
L4636A - red LED outline/marker lamp.

LED Marker Lamps

Specifications

Voltage 10-30V DC
 Power 2W
 IP Rating IP67
 Lens Polycarbonate
 Operating Temp -40° - 65°C
 Body Polycarbonate
 Cable 0.2m
 Weight 0.2kg
 Approvals ADR approved

Dimensions



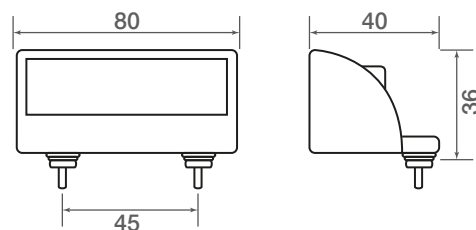
LED Number Plate Lamps



Specifications

Voltage 10-30V DC
 Power 6W
 IP Rating IP67
 Lens Polycarbonate
 Operating Temp -40° - 65°C
 Body Polycarbonate
 Cable 0.2m
 Weight 0.2kg
 Approvals ADR approved

Dimensions



Part Numbers

L4651A - LED Number Plate Lamp

Trailer Brake Control



78 & 79: Trailparts™ SE Remote Controller

80: Brakerite™ Brake Actuators

81: Agility™ Controller & Trailparts™ Trailer Mounted Controller

VENTA™
VEHICLE LIGHTING SOLUTIONS

Trailer Brake Control

The Ultimate Brake Control System for Trailers up to 3500kg (NZ) and 4500kg (AU)

- Tow with ANY tow vehicle, whether 12v or 24v
- No vehicle wiring or setup required
- Can be used for electric/hydraulic or electric drum brakes
- Easily operated by anyone

IDEAL FOR HIRE TRAILERS, LARGE FLEETS, SHARED TRAILERS – ANY TRAILER...

What is the SE Controller?

The patented* Trailparts SE Brake Control system makes it possible for any suitable tow vehicle** to tow a trailer fitted with an SE module, and the key word here is ANY. The Trailparts™ SE Brake Controllers will;

- Avoid ALL of the costly hard-wiring normally associated with in-cab brake controllers. No direct power feed is required from the tow vehicle's battery to the controller or on trailer module.
- Allow towing of SE equipped trailers with electric drum brakes AND electric/hydraulic actuators***.
- Give the ability to switch the in-cab portion of the controller between tow vehicles. It's fast and easy to legally tow trailers up to 3500kg (NZ) or 4500kg (AU) with any suitable vehicle.
- Allow towing to occur with ANY 12v or 24v vehicle without costly reducers being required in the electrical system, and also eliminates over-voltage damage commonly inflicted on braking systems of this type. The entire Trailparts™ SE brake control system is multi-voltage capable.
- Eliminate ANY difficulty or interference associated with vehicle wiring systems, such as CANbus and Fibre Optics, that are becoming more and more challenging to work with when equipping tow vehicles to be able to tow heavier trailers.
- Operate through ANY standard trailer electrical plug, whether 7 pin flat, 7 pin round, or 12 pin flat – all are capable of operating these controllers.
- Deliver braking when travelling in reverse.

IF IT SOUNDS SIMPLE – THAT'S BECAUSE IT IS!

*Patent Pending NZ, Innovation Patent Pending AU. **Any tow vehicle with an operational standard power socket.

***Sens-a-brake™ and Hydrastar XL™ actuators are not suitable for use with Trailparts™ SE controllers.



How does the SE Controller work?

The Trailparts™ SE brake control system really is simple, and is made up of three parts.

In-vehicle SE controller: This plugs into a standard vehicle power socket, and communicates wirelessly with the on-trailer module to regulate braking effort generated. It is multi-voltage capable, and can therefore be used in any suitable tow vehicle, and has four key functions:

- Allows the on-trailer module to be programmed to deliver the pre-set desired level of braking according to the load carried, and is variable in 20 braking levels from 5% through to 100%. The effort generated in each braking cycle is also displayed in a digital readout as a percentage, making setting and adjusting the braking effort delivered to the trailer simple and intuitive on-the-fly.
- Has five sensitivity adjustment settings, which alters how quickly the pre-set braking level is applied on the trailer. A lower setting, for example, gradually ramps up the braking force, and makes the SE controller ideal for livestock or horse float applications.
- Features an emergency switch that engages the trailer brakes only independent of the tow vehicle, which can be used to control trailer snaking or sway.
- Incorporates an audible warning system for when a fault occurs.



On-Trailer SE module: This is mounted on the trailer, parallel with the direction of travel. It houses a microprocessor and accelerometer, which senses the rate that the stop is occurring, and applies more or less braking to the trailer wheels accordingly. It is multi-voltage capable, and can be towed by any suitable tow vehicle; its power source being the battery supplied as part of the breakaway kit, below. It is housed in an IP67 rated alloy enclosure, with the internal components fully encased in resin for shock and water ingress protection, which makes them suitable for exposed/outside mounting.

Breakaway kit: As with most braking systems for 3500kg(NZ) and 4500kg(AU) trailers, the breakaway kit ensures power is applied to the trailer brakes in the event of a tow vehicle separation. With the SE brake control system, the breakaway battery is also used as the source of power to operate the on-trailer SE module. This in turn is trickle charged by drawing power from the trailer tail lamp circuit, which means that the towing vehicle must have its lights on when towing with an SE controller.



BS35SE pictured



BS35SEK pictured

Part Numbers

BS35SE - for use with electric drum brakes

BS35SEK - for use with electric/hydraulic brakes

Trailer Brake Control

Agility™ Proportional Brake Controller



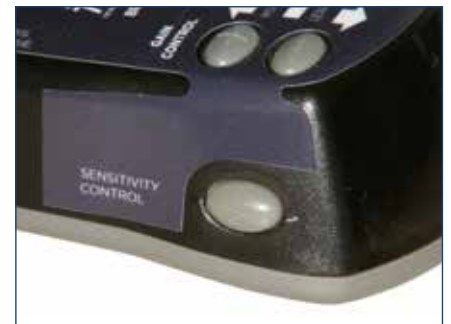
The Agility™ brake controller from Hopkins Manufacturing is a proportional, inertia based unit, suitable to be used on trailers up to 3500kg (NZ), and 4500kg (Australia). They include all the features as standard expected of controllers like this, such as self-leveling, short protection, and variable output, but it's their user-friendly nature that has made the Agility™ stand out, with 3 key features that make the difference, as shown below;



Emergency stop function is operated in a intuitive thumb-squeeze motion for excellent emergency brake control. Variable from 5% to 100% braking.



When in operation, the level of trailer braking being delivered is shown as an easy to understand percentage of total trailer braking available.



Agility controllers feature 5 “on-the-fly” sensitivity settings, which controls how rapidly the trailer brakes deliver their preset braking level. Makes towing safer with livestock, varying loads, or a range of road conditions.

Part Numbers

BS3575 - Agility™ proportional brake controller

Trailparts™ Trailer Mounted Brake Controller



The Trailparts™ on trailer controller has adjustable gain settings, and is designed for use with electric drum brakes on trailers under 2500kg (NZ) and 2000kg (AU). It has several advantages over other trailer mounted controllers, such as;

- Multi-voltage capable input 12v or 24v.
- Soft start wiring option – reduces the severity of initial braking by ramping up to full output over 0.50 of a second.
- Sealed unit.
- Compact design that measures only 65mm x 65mm.
- Simple 3 wire hook-up makes them fast and easy to install

Part Numbers

BS3579 - Trailparts™ trailer mounted brake controller

Titan Brakerite™ EHB Hydraulic Brake Actuators

Titan International, a publicly listed company based in Des Moines, Iowa, in the USA, has a rich heritage in the hydraulic brake and actuator industry. Many braking products in use today in the USA trailer industry are based on their original designs. They invented and held the first patent on free backing electric brakes and have led the way in designing and producing a wide variety of product innovations for trailer components in that market.

After having trialed many actuator brands, Trailequip brought Titan's impressive brake Brakerite™ actuators to New Zealand, and through Venta Pty Ltd, now into Australia.. This line of actuators is designed to serve a wide variety of trailer applications, and to be able to easily handle the heaviest demands of the unique conditions in New Zealand and Australia. Manufacturers of many trailer types put their faith in the market leading reliability and performance of the Brakerite™ range in applications of up to 10000kg, and their class leading response time and high volume pump/motor delivers on performance and safety. Key features of the Brakerite actuator are;

- Fast response time – 0.4 second response time, max pressure (1500psi) within 1 second.
- Hybrid electronic control board gives compatibility with most common brake controllers.
- Sealed Reservoir – diaphragms in the lids compensate for brake fluid movement, but keep moisture and other contaminants out.
- High volume pump and motor – delivers stronger braking performance faster.
- Class leading 1500psi output pressure.
- The control circuit board is built tough, and designed to manage prolonged use of up to 15 minutes continuously.



Brakerite™ EHB actuators are a reliable proven unit. These are a cost- effective braking solution, and are designed to hardwired, and should be fitted by someone with a reasonable knowledge of braking and electrical systems.

Part Numbers

BS35EHB - EHB actuator only

BS35EHBK - EHB actuator and breakaway kit

BS35BK - Breakaway kit only

Part Number	Section	Description	Page
BS3575	Trailer Braking Systems	In-cab proportional brake controller	80
BS3579	Trailer Braking Systems	Brake controller trailer mounted.....	80
BS35BK	Trailer Braking Systems	Breakaway Kit	81
BS35EBH	Trailer Braking Systems	Brakerite hyd actuator only.....	81
BS35EBHK	Trailer Braking Systems	Brakerite hyd actuator/breakaway kit.....	81
BS35SE	Trailer Braking Systems	Trailparts™ SE Remote brake controller	79
BS35SEK	Trailer Braking Systems	Trailparts™ SE Remote brake controller hyd.....	79
L1200MKC	LED Signal & Marker Lamps	LED Tail lamp kit 8m cables.....	72
L1200ML	LED Signal & Marker Lamps	160mm LED tail lamp L/H	72
L1200MR3	LED Signal & Marker Lamps	160mm LED tail lamp R/H.....	72
L2000ML	LED Signal & Marker Lamps	120mm LED tail lamp L/H	73
L2000MR3	LED Signal & Marker Lamps	120mm LED tail lamp R/H.....	73
L2500M	LED Signal & Marker Lamps	200mm LED red/amber tail lamp.....	75
L2502M	LED Signal & Marker Lamps	200mm LED white lamp	75
L2504M	LED Signal & Marker Lamps	200mm LED amber lamp	75
L2506M	LED Signal & Marker Lamps	200mm LED red lamp	75
L2610M	LED Signal & Marker Lamps	200mm LED tail lamp with reverse	74
L4630A	LED Signal & Marker Lamps	LED Marker lamp red/amber	76
L4632A	LED Signal & Marker Lamps	LED Marker lamp white	76
L4634A	LED Signal & Marker Lamps	LED Marker lamp amber	76
L4636A	LED Signal & Marker Lamps	LED Marker lamp red	76
L4651A	LED Signal & Marker Lamps	LED license plate lamp	76
TXH9011	HID Worklamps	100mm Anti-vibe worklamp flood	50
TXH9012	HID Worklamps	100mm Anti-vibe worklamp spot.....	50
TXH9021	HID Worklamps	100mm worklamp flood	51
TXH9022	HID Worklamps	100mm worklamp spot	51
TXH9065	HID Worklamps	Alloy 12v worklamp anti-vibe flood	48
TXH9066	HID Worklamps	Alloy 12v worklamp anti-vibe spot	48
TXH9075	HID Worklamps	Alloy 24v worklamp anti-vibe flood	49
TXH9076	HID Worklamps	Alloy 24v worklamp anti-vibe spot	49
TXH9135	Driving Lights	100mm HID Driving light flood	45
TXH9136	Driving Lights	100mm HID Driving light spot.....	45
TXH9165	Driving Lights	175mm HID Driving light flood.....	44
TXH9166	Driving Lights	175mm HID Driving light spot.....	44
TXH9175	Driving Lights	225mm HID Driving light flood.....	43
TXH9176	Driving Lights	225mm HID Driving light spot.....	43
TXL6000	Driving Lights	LED daytime running lamp	46
TXL9510	LED Worklamps	Pedestal mount 10mm.....	30
TXL951008	LED Worklamps	Pedestal mount 8mm	30
TXL9515	LED Worklamps	Worklamp handle	30
TXL9520	LED Worklamps	16W LED worklamp flood.....	24
TXL9520L	LED Worklamps	16W LED worklamp spot	24
TXL9521	LED Worklamps	18W LED slimline worklamp flood	23
TXL9521L	LED Worklamps	18W LED slimline worklamp spot	23
TXL9522	LED Worklamps	15W LED worklamp flood.....	25
TXL9522L	LED Worklamps	15W LED worklamp spot	25
TXL9523	LED Worklamps	18W LED worklamp flood	19
TXL9523E80	LED Worklamps	18W LED worklamp flood 10-80v.....	20
TXL9523EMI	LED Worklamps	18W LED worklamp flood EMI.....	20
TXL9523L	LED Worklamps	18W LED worklamp spot	19
TXL9523MAG	LED Worklamps	18W LED worklamp flood mag base	21
TXL9526	LED Worklamps	27W LED worklamp flood.....	16
TXL9526L	LED Worklamps	27W LED worklamp spot	16
TXL9527	LED Worklamps	27W LED worklamp flood.....	17
TXL9527L	LED Worklamps	27W LED worklamp spot	17
TXL9528	LED Worklamps	18W LED low profile worklamp flood.....	22
TXL9528L	LED Worklamps	18W LED low profile worklamp spot.....	22
TXL9529	LED Worklamps	48W LED worklamp flood.....	11
TXL9530	LED Worklamps	48W LED worklamp spot	11
TXL9532	LED Worklamps	48W LED worklamp flood.....	12
TXL9532L	LED Worklamps	48W LED worklamp spot	12
TXL9533	LED Worklamps	20W LED worklamp flood.....	18
TXL9534	LED Worklamps	30W LED connectable worklamp flood.....	13
TXL9534L	LED Worklamps	30W LED connectable worklamp spot	13
TXL9535	LED Worklamps	50W LED worklamp flood.....	10
TXL9540	LED Worklamps	30W LED worklamp flood.....	14
TXL9541	LED Worklamps	10W LED worklamp flood.....	28
TXL9542	LED Worklamps	10W LED worklamp spot	28

Part Number	Section	Description	Page
TXL9543	LED Worklamps	12W LED worklamp flood.....	27
TXL9544	LED Worklamps	12W LED worklamp spot.....	27
TXL9548	LED Worklamps	10W LED worklamp flood.....	29
TXL9548L	LED Worklamps	10W LED worklamp spot.....	29
TXL9550	LED Worklamps	15W LED trunion worklamp.....	26
TXL9551	LED Worklamps	15W LED trunion worklamp.....	26
TXL9555LSW	LED Worklamps	27W LED worklamp, handle/switch, spot.....	15
TXL9555SW	LED Worklamps	27W LED worklamp, handle/switch, flood.....	15
TXL9580	LED Worklamps	60W LED H/Duty worklamp flood.....	8
TXL9580L	LED Worklamps	60W LED H/Duty worklamp spot.....	8
TXL9585	LED Worklamps	90W LED H/Duty worklamp flood.....	6
TXL9585L	LED Worklamps	90W LED H/Duty worklamp spot.....	6
TXL9590	LED Worklamps	90W LED H/Duty worklamp flood.....	7
TXL9590L	LED Worklamps	90W LED H/Duty worklamp spot.....	7
TXL9595	LED Worklamps	60W LED H/Duty worklamp flood.....	9
TXL9595L	LED Worklamps	60W LED H/Duty worklamp spot.....	9
TXL9700L	LED Lightbars	30W LED lightbar spot.....	35
TXL9701C	LED Lightbars	60W LED lightbar combo.....	33
TXL9701L	LED Lightbars	60W LED lightbar spot.....	34
TXL9701C	LED Lightbars	90W LED lightbar combo.....	34
TXL9702L	LED Lightbars	90W LED lightbar spot.....	33
TXL9703C	LED Lightbars	120W LED lightbar combo.....	32
TXL9703L	LED Lightbars	120W LED lightbar spot.....	32
TXL9704	LED Lightbars	36W LED lightbar flood.....	40
TXL9704L	LED Lightbars	36W LED lightbar spot.....	40
TXL9705	LED Lightbars	72W LED lightbar flood.....	39
TXL9705L	LED Lightbars	72W LED lightbar spot.....	39
TXL9706	LED Lightbars	120W LED lightbar flood.....	38
TXL9706L	LED Lightbars	120W LED lightbar spot.....	38
TXL9707	LED Lightbars	180W LED lightbar flood.....	37
TXL9707L	LED Lightbars	180W LED lightbar spot.....	37
TXL9708	LED Lightbars	240W LED lightbar flood.....	36
TXL9708L	LED Lightbars	240W LED lightbar spot.....	36
TXL9800	Driving Lights	60W LED driving lamp flood.....	42
TXL9800L	Driving Lights	60W LED driving lamp spot.....	42
TXLB006A	Warning Beacons & Lightbars	LED mini beacon.....	57
TXLB009A	Warning Beacons & Lightbars	LED low profile beacon.....	56
TXLB009AP	Warning Beacons & Lightbars	LED low profile beacon pole mounted.....	60
TXLB009M	Warning Beacons & Lightbars	LED low profile beacon magnetic.....	56
TXLB010A	Warning Beacons & Lightbars	LED beacon.....	55
TXLB010AP	Warning Beacons & Lightbars	LED beacon pole mounted.....	59
TXLB010M	Warning Beacons & Lightbars	LED beacon magnetic.....	55
TXLB050A	Warning Beacons & Lightbars	LED beacon large.....	54
TXLB050AM	Warning Beacons & Lightbars	LED beacon large magnetic.....	54
TXLB050AP	Warning Beacons & Lightbars	LED beacon large pole mounted.....	58
TXLB30AR	Warning Beacons & Lightbars	LED strobe unit recess mount.....	62
TXLB30AS	Warning Beacons & Lightbars	LED strobe unit surface mount.....	62
TXLBPM01	Warning Beacons & Lightbars	Beacon pole mount.....	61
TXLBPM02	Warning Beacons & Lightbars	Beacon pole mount.....	61
TXLBPM03	Warning Beacons & Lightbars	Beacon pole mount.....	61
TXLBPM07	Warning Beacons & Lightbars	Beacon pole mount.....	61
TXLS090A	Warning Beacons & Lightbars	LED minibar 275mm.....	64
TXLS090AM	Warning Beacons & Lightbars	LED minibar 275mm magnetic.....	64
TXLS100A	Warning Beacons & Lightbars	LED minibar 490mm.....	66
TXLS100AM	Warning Beacons & Lightbars	LED minibar 490mm magnetic.....	66
TXLS110A	Warning Beacons & Lightbars	LED lightbar 730mm.....	67
TXLS110AM	Warning Beacons & Lightbars	LED lightbar 730mm magnetic.....	67
TXLS110RM	Warning Beacons & Lightbars	LED red lightbar 730mm magnetic.....	67
TXLS130A	Warning Beacons & Lightbars	LED lightbar 1200mm.....	68
TXLS130AL	Warning Beacons & Lightbars	LED lightbar 1200mm with worklamps.....	69
TXLS300A	Warning Beacons & Lightbars	LED minibar 388mm.....	65
TXLS300AM	Warning Beacons & Lightbars	LED minibar 388mm magnetic.....	65
TXLS4MOD	Warning Beacons & Lightbars	LED flasher module amber.....	70
TXLS4MODB	Warning Beacons & Lightbars	LED flasher module blue.....	70
TXLS4MODG	Warning Beacons & Lightbars	LED flasher module green.....	70
TXLS4MODR	Warning Beacons & Lightbars	LED flasher module red.....	70
TXLSCON1	Warning Beacons & Lightbars	Lightbar controller.....	70
TXLSMB	Warning Beacons & Lightbars	Lightbar magnetic foot.....	70

Please process this order from

Business/Name	
Delivery Address	
Contact	
Order Number	

Please choose a delivery option

Non Urgent, but ship ASAP	
------------------------------	--

Urgent, Overnight please	
-----------------------------	--

Call me, I need it now	
---------------------------	--

Please send me the following

Part Number	No. Required	Description

Australian Orders | Venta Pty Ltd
Email: sales@venta-au.com
Fax: 03 9971 4183
Phone: 03 9971 7800 or 1 300 538 598

New Zealand Orders | Trailequip Ltd
Email: sales@venta-nz.com
Fax: 09 439 6705
Phone: 09 439 5508 or 0800 487 245

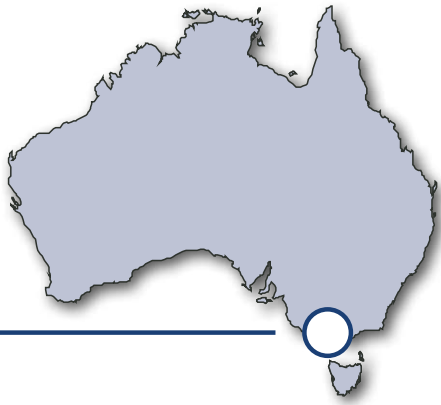


VENTA[™]
VEHICLE LIGHTING SOLUTIONS

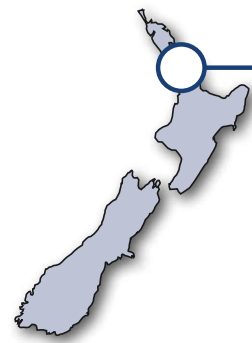
Text: ©2013 Trailequip Limited (NZ) and Venta Pty Ltd(AU). The information, illustrations and specifications contained within this catalogue remain the property of Trailequip Limited (NZ) and Venta Pty Ltd (AU). Any unauthorised distribution or copying of the material within this catalogue is prohibited without our prior approval. E & OE. Trailequip Limited reserve the right to alter specifications and product designs without prior notification.

VENTA™

VEHICLE LIGHTING SOLUTIONS



Australia | Venta Pty Ltd
PO Box 2467, Sunbury, VIC 3249
Phone: 1 300 538598
Phone: 0061 3 9971 7800
Fax: 0061 3 9971 4183
Email: sales@venta-au.com
Web: www.venta-au.com



New Zealand | Trailequip Ltd
PO Box 74, Dargaville
Northland 0340
Phone: 0064 9 4395508
Fax: 0064 9 439 6705
Email: sales@venta-nz.com
Web: www.venta-nz.com

